

*New Product*

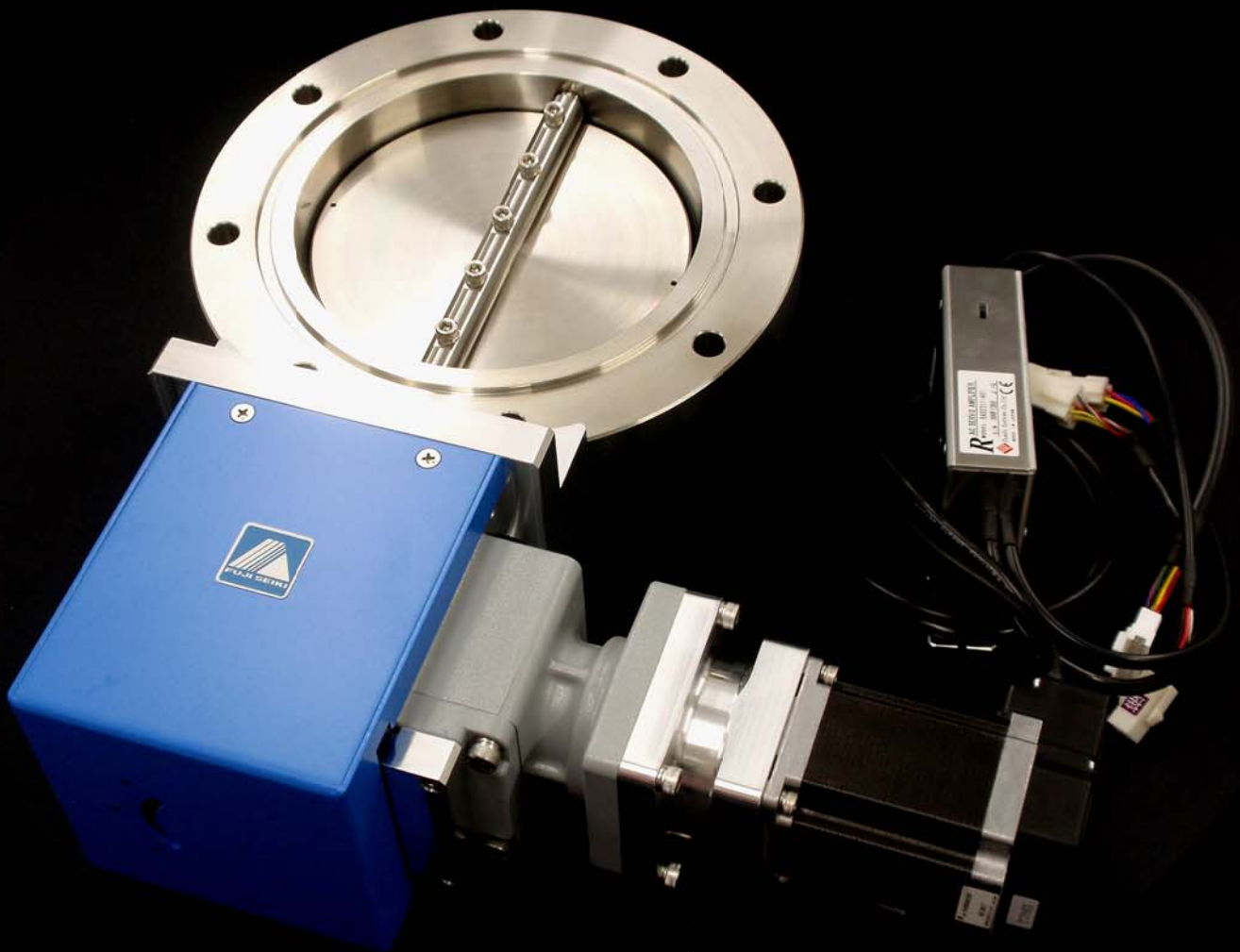


**PATENTED**

***High-Performance Motor Drive Butterfly Valves***

***MBV-LD II Series***

**Washed cleanly used for high-vacuum**



***FUJI Technology***  
VACUUM SYSTEMS SPECIALIST

PATENTED

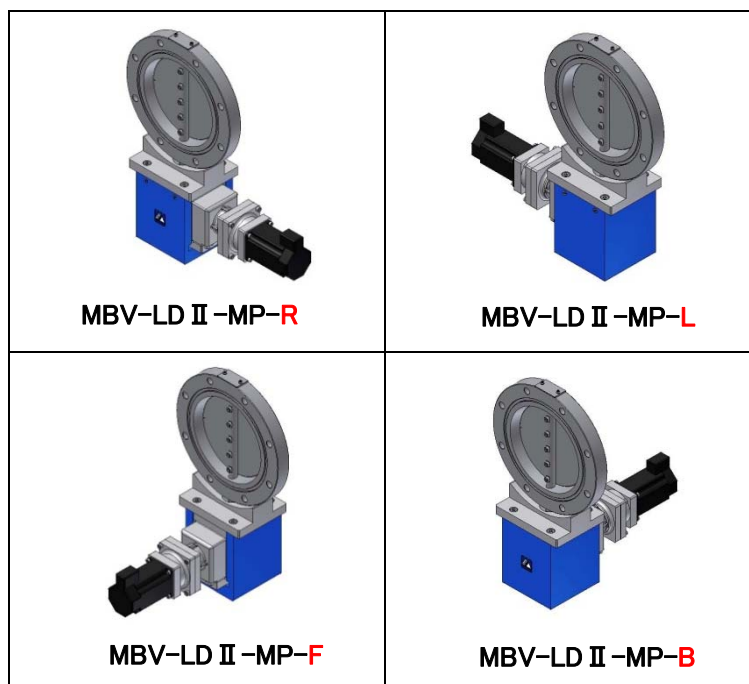
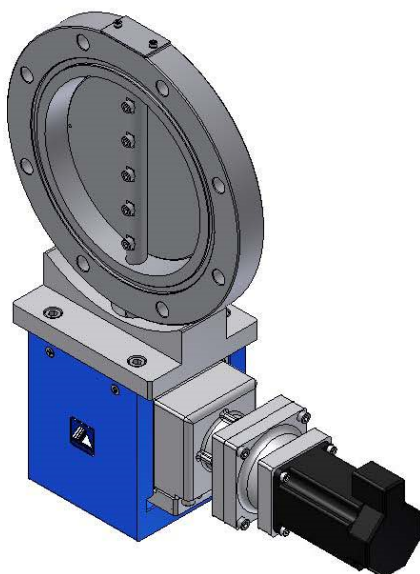
## Motor Driven Butterfly Valve

### MBV-LD II-MP Series

Long-life, Low-price, High performance, Versatile running patterns

1. Long-life 1,000,000 cycles and two years guarantee
2. Low-price Automatic pressure control is made low-priced
3. High-performance Adopt high performance servomotor and new driven mechanism
4. High-functionality Full closing, Multi-position control, Auto pressure control  
Motor position-selected (four-position)

◇select from four types



#### 【 Features 】

- ◇ Full closing (shut-off valve) and conductance adjustment can be done by one unit.  
Minimum conductance-controlled is possible.
- ◆ This valve can easily be opened under a differential pressure condition of vacuum-atmospheric pressure.
- ◇ The stop position accuracy can be reproduced easily by adopting “Highly precise Gear head”.
- ◆ This valve can be stopped at any position of maximum 14- position and at the fully closed, fully open.  
Positioning settings can be done easily with the teaching box or PC software.
- ◇ By adding optional components for control, automatic pressure control valve can be used as.
- ◆ The valve disc position can be confirmed from the outside by its angle indicator.
- ◇ The ability to select the motor position can be flexible to a variety of layouts, and utilize the space to install the exhaust system.
- ◆ Fully closed position detecting sensor be included as standard.

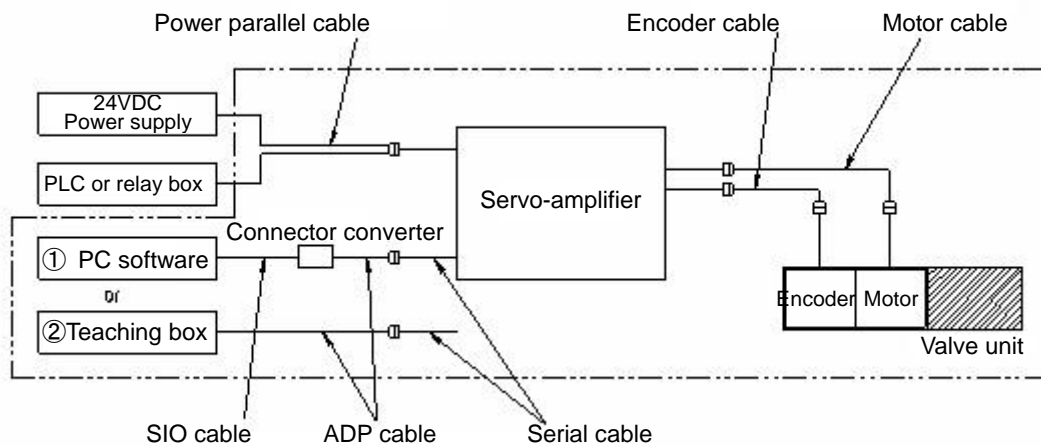
**【Basic specification】**

STD FLANGE	JIS · ISO · CF · NW	Diameter	25A ~ 300A
Leak Rate	$1 \times 10^{-9} \text{ Pa} \cdot \text{m}^3 / \text{s} >$	Power	supply: DC 24V (max 3.0A ) control: DC 24V (max 0.2A )
Pressure Range	$10^5 \sim 10^{-6} \text{ Pa}$		
Disc seal	Viton O-ring	Driven mechanism	AC servo-motor
Shaft seal	Viton O-ring two-tier	Gas contact material	SUS304

※ Subject to change without any notice

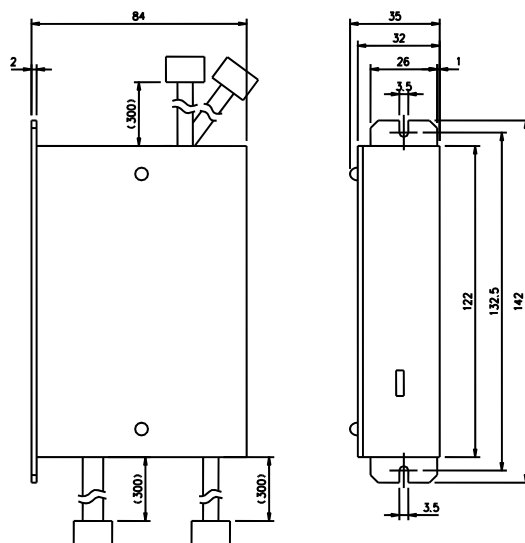
※ Please contact us as we can manufacture special sizes and special specifications.

**【System configuration】**



※Included in the valve unit: Valve body, Servo-motor, Servo-amplifier  
(Please refer to the “optional selection list” other than those above.)

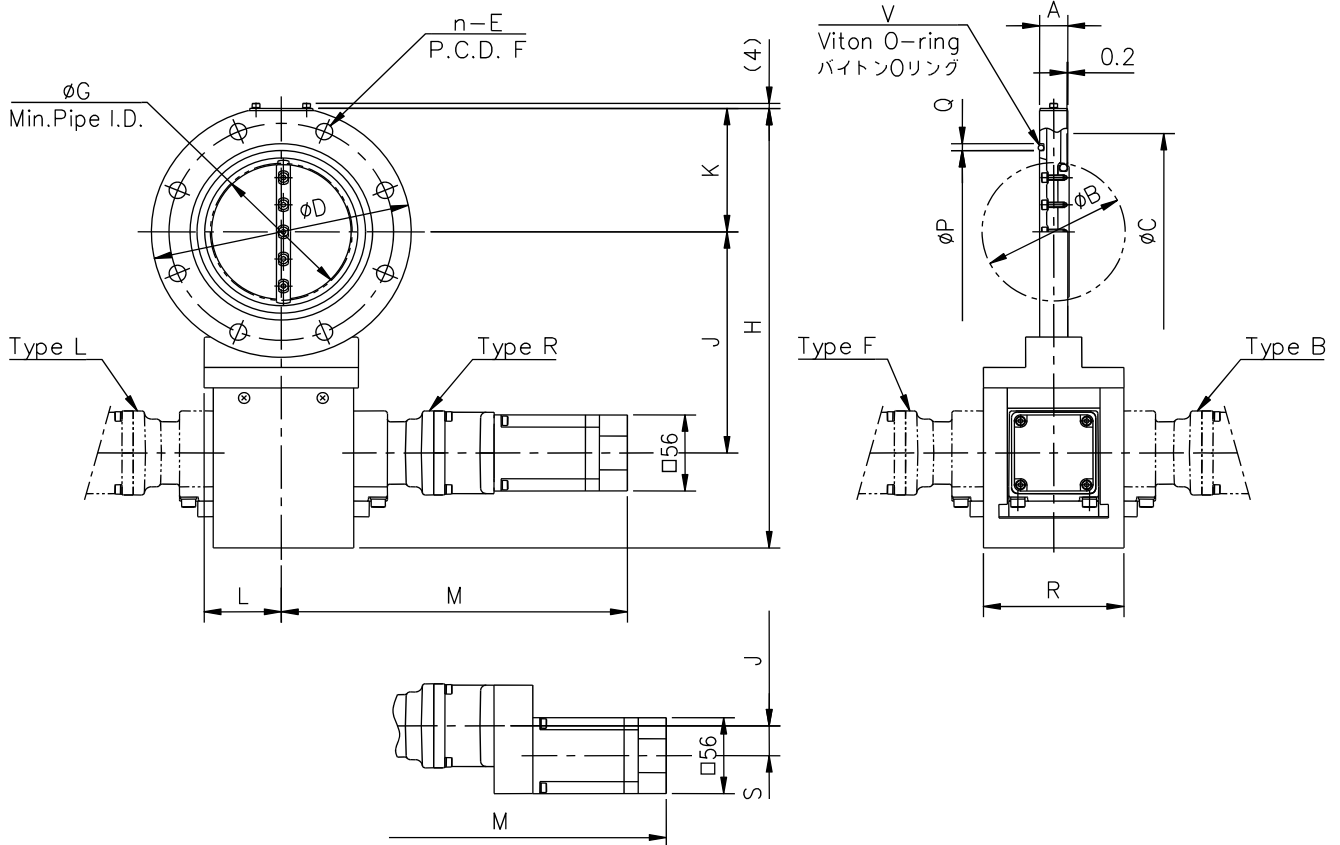
**【Equipped servo-amplifier dimensions】**



**<About the motor correspondence of those other than a standard>**

We will consult also about change on motors according to the equipment usage environment of your company, such as servo motors other than a standard motor.

Example of correspondence: Mitsubishi Electric's AC servo motor MR-J3 series and MR-J4 series etc.  
Yaskawa Electric's AC servo motor  $\Sigma$ -V series and  $\Sigma$ -7 series etc.



8,10,12LD Form

Unit in:mm

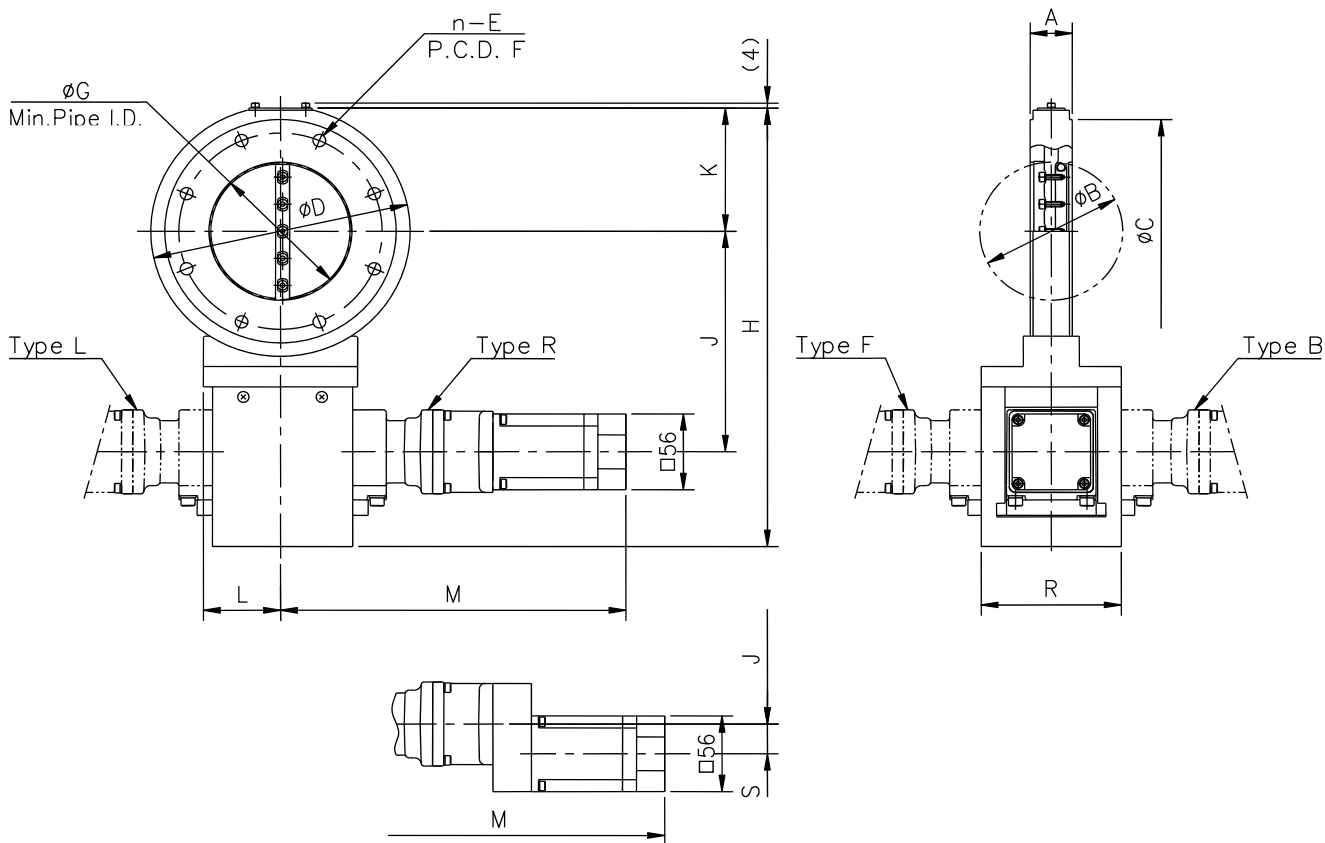
Model	MBV-1LD II -MP-( )	MBV-2LD II -MP-( )	MBV-2.5LD II -MP-( )	MBV-3LD II -MP-( )	MBV-4LD II -MP-( )	MBV-6LD II -MP-( )	MBV-8LD II -MP-( )	MBV-10LD II -MP-( )	MBV-12LD II -MP-( )
MOD No.	10705□□	10707□□	10708□□	10709□□	10710□□	10711□□	10712□□	10713□□	10714□□
A	20	20	20	20	20	26	40	40	45
B	34	52	65	80	102	155	208	257	307
C	58	88	105	120	145	190	250	302	352
D	90	120	145	160	185	235	300	350	400
n-E	4-φ10	4-φ10	4-φ12	4-φ12	8-φ12	8-φ12	8-φ15	12-φ15	12-φ15
F	70	100	120	135	160	210	270	320	370
G	32	51	64	79	101	154	206	253	303
H	228.5	259	284.5	298.5	324	388	455	505	555
J	115.5	130.5	143	150.5	163	194	229	254	279
K	43	58.5	71.5	78	91	116.5	148.5	173.5	198.5
L	55	55	49	49	55	70	85	85	85
M	245	245	246	246	246.5	264	292	292.5	292.5
P	40	70	85	100	120	175	225	275	325
Q	5	5	5	5	5	5	8	8	8
R	100	100	100	100	100	110	110	110	110
S	—	—	—	—	—	—	22	22	22
V	V40	V70	V85	V100	V120	V175	V225	V275	V325

Note1 : The above Flanges are accordance with older JIS B2290 Vacuum Flange for Vacuum Equipment (Flange for affiliated book maintenance)

Note2 : A motor position type enters in ( ) of form. (It chooses from four positions)

※ To improve this specification may change without notice.

## Dimensions of MBV-JIS LD II -MP Series



ISO200,25LD Form

Unit:mm

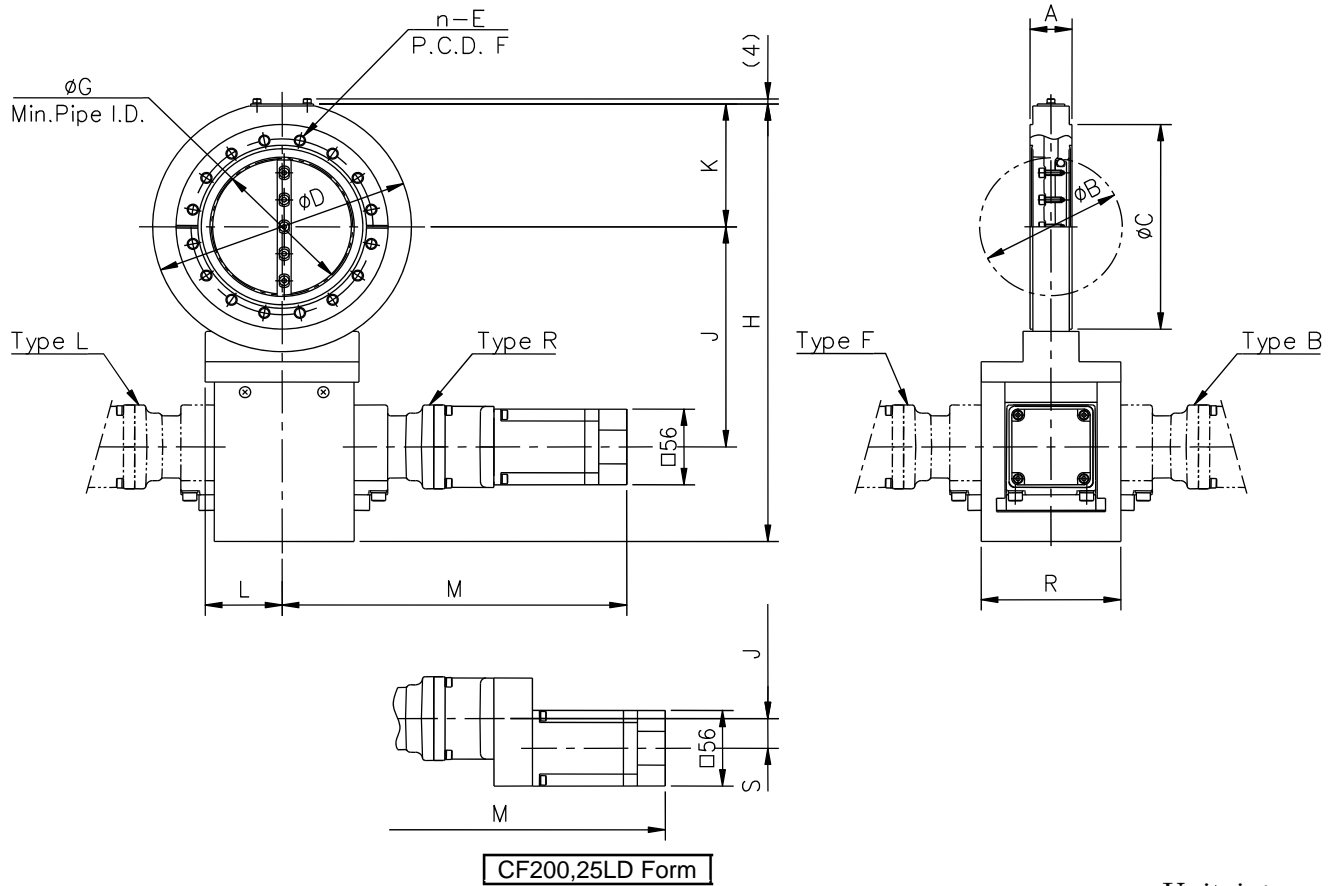
Model	MBV-ISO40LD II-MP-( )	MBV-ISO50LD II-MP-( )	MBV-ISO63LD II-MP-( )	MBV-ISO80LD II-MP-( )	MBV-ISO100LD II-MP-( )	MBV-ISO160LD II-MP-( )	MBV-ISO200LD II-MP-( )	MBV-ISO250LD II-MP-( )
MOD No.	10765□□	10766□□	10767□□	10767□□	10768□□	10770□□	10771□□	10772□□
A	30	30	30	30	30	50	50	50
B	34	52	65	80	102	155	208	257
C	100	110	130	145	165	225	285	335
D	120	120	145	160	185	235	300	350
n—E	4-φ9	4-φ9	4-φ9	8-φ9	8-φ9	8-φ11	12-φ11	12-φ11
F	80	90	110	125	145	200	260	310
G	20	45	59	74	97	144	199	249
H	259	259	284.5	298.5	324	388	455	505
J	130.5	130.5	143	150.5	163	194	229	254
K	58.5	58.5	71.5	78	91	116.5	148.5	173.5
L	55	55	49	49	55	70	85	85
M	245	245	246	246	246.5	264	292	292.5
R	100	100	100	100	100	110	110	110
S	—	—	—	—	—	—	22	22

Note1 : The above Flanges are accordance with ISO 1609 Vacuum technology Flange

Note2 : A motor position type enters in ( ) of form. (It chooses from four positions)

※ To improve this specification may change without notice.

## Dimensions of MBV-ISO LD II-MP Series



CF200,25LD Form

Unit in:mm

Model	MBV-CF40LD II -MP-( )	MBV-CF63LD II -MP-( )	MBV-CF100LD II -MP-( )	MBV-CF160LD II -MP-( )	MBV-CF200LD II -MP-( )	MBV-CF250LD II -MP-( )
MOD No.	10740□□	10742□□	10744□□	10745□□	10747□□	10748□□
A	30	30	30	50	50	50
B	34	52	102	155	208	257
C	69.4	113.5	151.6	202.4	253.2	305.0
D	90	120	185	235	300	350
n—E	6-M6	8-M8	16-M8	20-M8	24-M8	32-M8
F	58.7	92.1	130.2	181	231.8	284
G	20	45	97	144	199	249
H	228.5	259	324	388	455	505
J	115.5	130.5	163	194	229	254
K	43	58.5	91	116.5	148.5	173.5
L	55	55	55	70	85	85
M	245	245	246.5	264	292	292.5
R	100	100	100	110	110	110
S	—	—	—	—	22	22

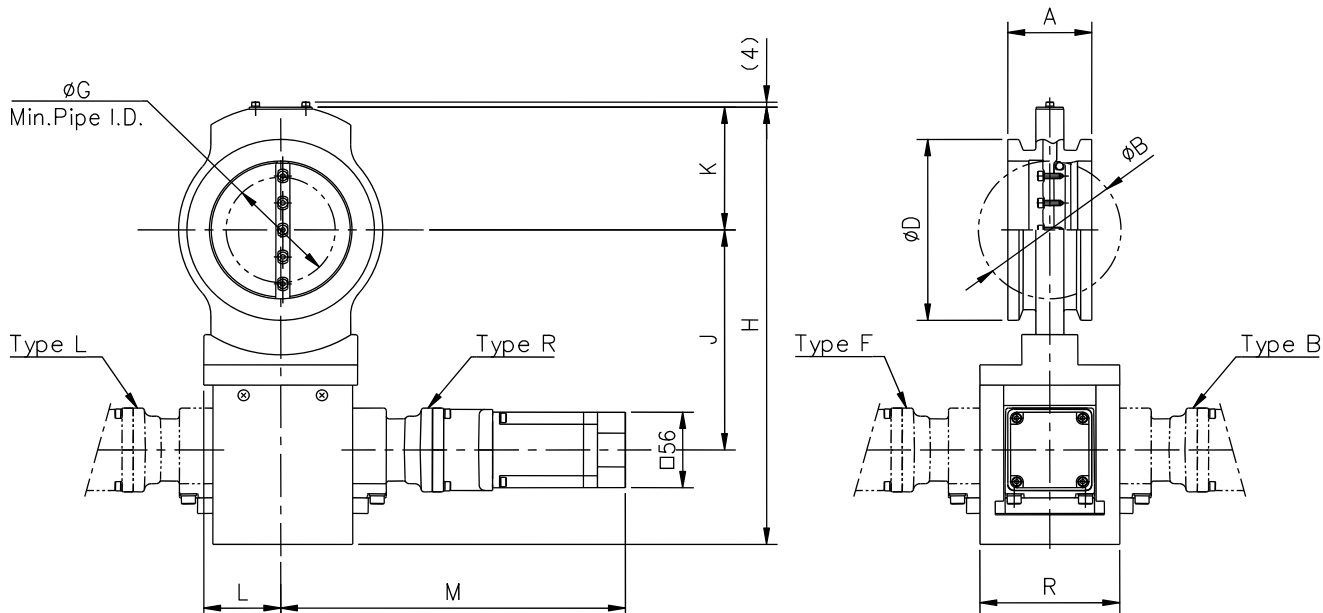
Note1 : The above Flanges are accordance with ISO/TS 3669-2 Vacuum technology-Bakable flanges-Part2:Dimension of knife-edge flanges

Note2 : A motor position type enters in ( ) of form. (It chooses from four positions)

Note3 : No Groove for leakage detection no CF 40.

※ To improve this specification may change without notice.

## Dimensions of MBV-CF LD II -MP Series



Unit in:mm

Model	MBV-NW40LD II - MP-( )	MBV-NW50LD II - MP-( )	MBV-NW63LD II - MP-( )	MBV-NW80LD II - MP-( )	MBV-NW100LD II - MP-( )	MBV-NW160LD II - MP-( )
MOD No.	10724□□	10725□□	10726□□	10727□□	10728□□	10730□□
A	40	40	40	60	60	66
B	34	52	65	80	102	155
D	55	75	87	114	134	190
G	0	25	56	44	78	143
H	228.5	259	284.5	298.5	324	388
J	115.5	130.5	143	150.5	163	194
K	43	58.5	71.5	78	91	116.5
L	55	55	49	49	55	70
M	245	245	246	246	246.5	264
R	100	100	100	100	100	110

Note1 : When installing, use Fuji Technology made Multi-Clump. In case of using other Clumps, there are some cases where installing is impossible owing to their shape.

Note2 : A motor position type enters in ( ) of form. (It chooses from four positions)

※ To improve this specification may change without notice.

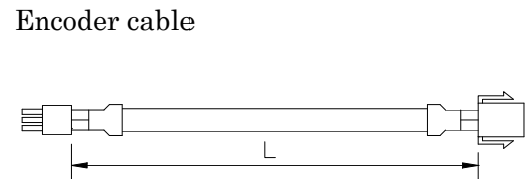
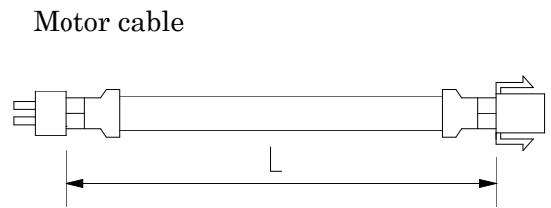
## Dimensions of MBV-NW LD II -MP Series

**Option**

**1. Motor encoder extension cable**

Cables for connecting the servo amplifier and valve

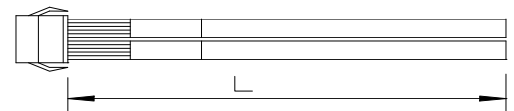
Model No.	length(L)
MOT/ENC cable_4122202 (1m)	1m
MOT/ENC cable_4122204 (2m)	2m
MOT/ENC cable_4122206 (3m)	3m
MOT/ENC cable_4122208 (4m)	4m
MOT/ENC cable_4122210 (5m)	5m
MOT/ENC cable_4122218 (6m)	9m
MOT/ENC cable_4122220 (10m)	10m
MOT/ENC cable_4122230 (15m)	15m
MOT/ENC cable_4122240 (20m)	20m



**2. Power parallel cable**

Cable for power supply to servo amplifier

Model No.	length(L)
Power parallel cable _4122306 (3m)	3m
Power parallel cable _4122310 (5m)	5m
Power parallel cable _4122320 (10m)	10m



**3. - 1 PC software**

Model No.	Remarks
TBVST-FT-JP-SET_4122042	Japanese version
TBVST-FT-EN-SET_4122044	English version



- ①
- ②
- ③
- ④

【PC software Standard set accessories】

- ① ADP-1 (Conversion adapter)    ② ADP-2-4 (Connector converter)
- ③ SIO cable (1m)                    ④ ADP cable (1m)

**3. - 2 Teaching box**

Model No.	Remarks
CTA-23-SET_4122070	Digital indication



- ①

【Teaching box Standard set accessories】

- ① ADP cable (1m)



※The case lack of the connection length by a standard set accessory cable of 3-1 and 3-2 common option (1m), Please select the cable length of the table below . (option)

SIO cable	
Model	length(L)
SIO cable _4120604 (2m)	2m
SIO cable _4120606 (3m)	3m
SIO cable _4120610 (5m)	5m



ADP cable	
Model	length(L)
ADP cable_4122406 (3m)	3m
ADP cable_4122410 (5m)	5m
ADP cable_4122420 (10m)	10m

