

New product



Differential Pressure Control Valves

BV-D II Series

Washed cleanly used for high-vacuum



FUJI Technology
VACUUM SYSTEMS SPECIALIST

patented

New Product

Differential Pressure Control Valve

BV-D II Series

— *High performance, Long-life, and Low prices.* —

- ◇ Pneumatic Butterfly Valve is better durability and can be opened - closed by differential pressure.
- ◇ Long-life 500,000~1,000,000 cycles
- ◇ This valve can easily be opened under a differential pressure condition of vacuum-atmospheric pressure.
- ◇ Even if it always opens and closes with difference pressure, it is a long-life and high-durability.
- ◇ Double cylinder system has less impact force when opening and closing.
- ◇ Diameter (ISO) 40A~250A・(JIS) 250A~400A

<Basic specification>

STD FLANGE	ISO・JIS	Diameter	40A~400A
Leak Rate	$< 1 \times 10^{-9} \text{Pam}^3 / \text{s}$	Gas contact material	SUS304
Pressure Range	$10^5 \sim 10^{-5} \text{Pa}$	Actuating air pressure	0.4~0.6MPa G
Disc seal	Viton O-ring	Shaft seal	Viton O-ring two-tier

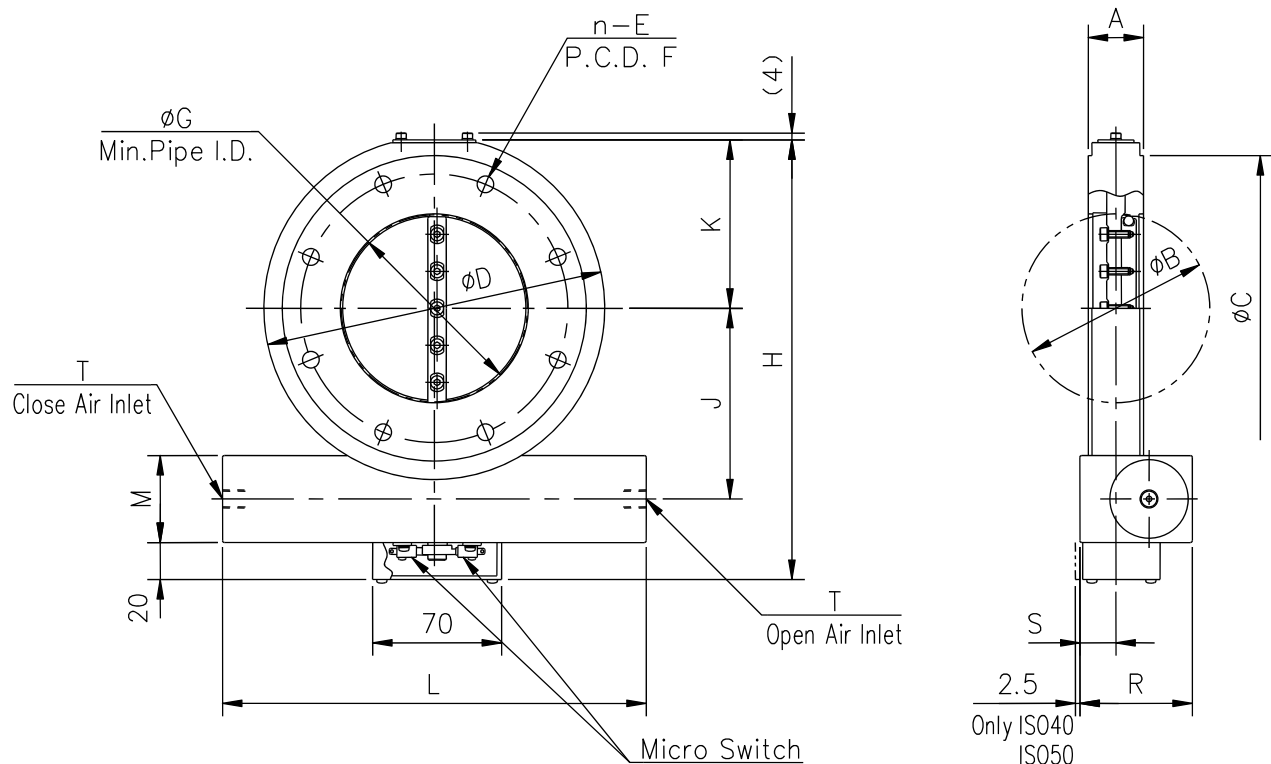
- ※ The microswitch for an opening-and-closing display be included as standard.
- ※ Subject to change without any notice.
- ※ Please contact us as we can manufacture special sizes and special specifications.



— *Vacuous high technology is created* —
FUJI SEIKI Group
FUJI Technology Inc,

■ Head office factory
1162-1, Hotozawa, Gotenba-shi, Shizuoka 412-0046 JAPAN E-mail: fujitech@fujitechnology.co.jp
TEL +81-550-80-5200 FAX +81-550-80-5205 <http://www.fujitechnology.co.jp>

20150114

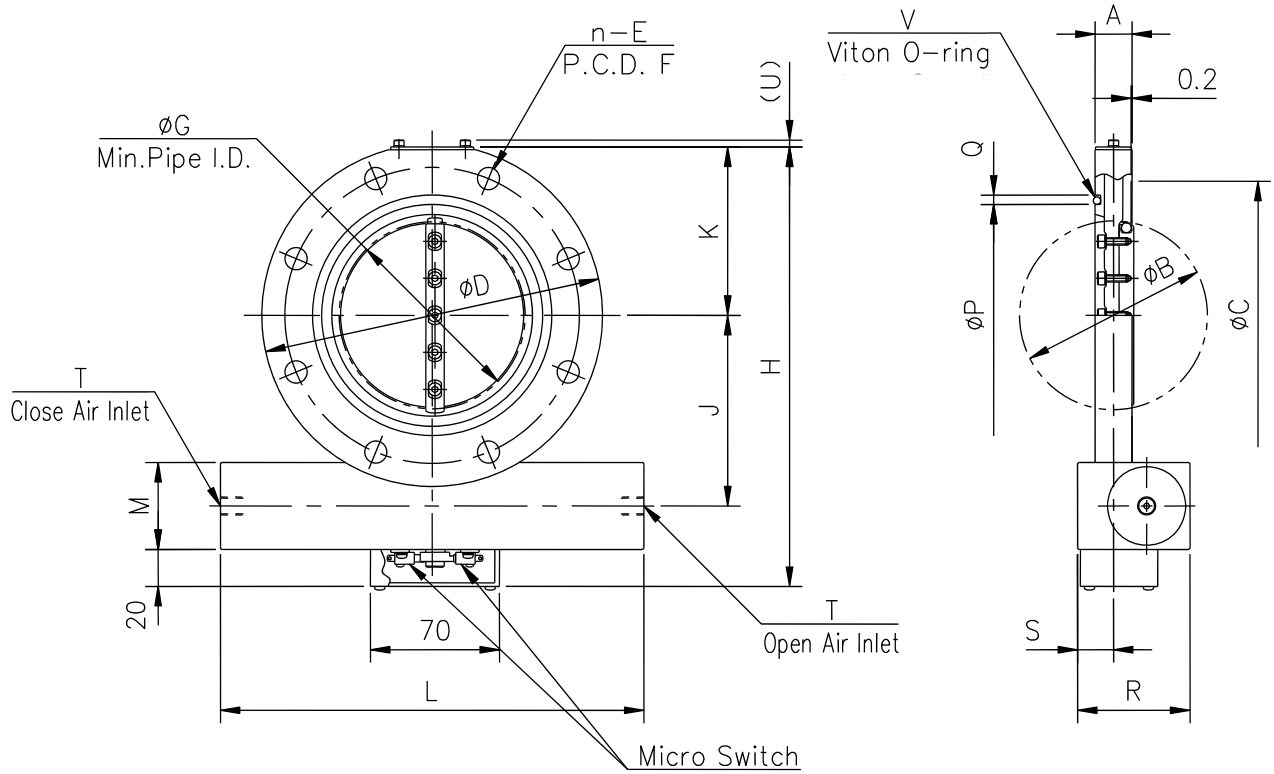


Unit in:mm

Model	BV-ISO40AXOD II	BV-ISO50AXOD II	BV-ISO63AXOD II	BV-ISO80AXOD II	BV-ISO100AXOD II	BV-ISO160AXOD II	BV-ISO200AXOD II	BV-ISO250AXOD II
MOD No.	10965□□	10966□□	10967□□	10967□□	10968□□	10970□□	10971□□	10972□□
A	30	30	30	30	30	50	50	50
B	34	52	65	80	102	155	208	257
C	100	110	130	145	165	225	285	335
D	120	120	145	160	185	235	300	350
n—E	4-φ9	4-φ9	4-φ9	8-φ9	8-φ9	8-φ11	12-φ11	12-φ11
F	80	90	110	125	145	200	260	310
G	20	45	59	74	97	144	199	249
H	169.5	169.5	198	212	237.5	299	380	446
J	70	70	83	90.5	103	127.5	165	200
K	58.5	58.5	71.5	78	91	116.5	148.5	173.5
L	225	225	230	230	230	296	400	450
M	42	42	47	47	47	70	93	105
R	55	55	61	61	61	79	109.5	125.5
S	15.5	15.5	19.5	19.5	19.5	22	25	25
T	Rp1/8	Rp1/8	Rp1/8	Rp1/8	Rp1/8	Rc1/4	Rc1/4	Rc1/4

Notel : The above Flanges are accordance with ISO 1609 Vacuum technology Flange
 ※ To improve this specification may change without notice.

Dimensions of BV-ISO AXOD II Series



Unit in:mm

Model	BV-4AXOD II	BV-6AXOD II	BV-8AXOD II	BV-10AXOD II	BV-12AXOD II	BV-14AXOD II	BV-16AXOD II
MOD No.	10910□□	10911□□	10912□□	10913□□	10914□□	10915□□	10916□□
A	25	30	50	50	50	70	75
B	102	155	208	257	307	355	391
C	145	190	250	302	352	402	458
D	185	235	300	350	400	450	520
n—E	8- φ 12	8- φ 12	8- φ 15	12- φ 15	12- φ 15	12- φ 15	12- φ 19
F	160	210	270	320	370	420	480
G	100	153	204	251	301	351	389
H	237.5	299	380	446	496	552	632
J	103	127.5	165	200	225	240	285
K	91	116.5	148.5	173.5	198.5	224	259
L	230	296	400	450	450	688	688
M	47	70	93	105	105	136	136
P	120	175	225	275	325	380	430
Q	5	5	8	8	8	8	8
R	61	79	109.5	125.5	125.5	185.5	185.5
S	19.5	22	25	25	25	37.5	37.5
T	Rp1/8	Rc1/4	Rc1/4	Rc1/4	Rc1/4	Rc1/4	Rc1/4
U	4	4	4	4	4	5	5
V	V120	V175	V225	V275	V325	V380	V430

Notel : The above Flanges are accordance with older JIS B2290 Vacuum Flange for Vacuum Equipment (Flange for affiliated book maintenance)

※ To improve this specification may change without notice.

Dimensions of BV-JIS AXOD II Series