

NEW PRODUCT

Direct-coupled Motor Driven Butterfly Valve

MBV-AD II -M Series

Direct-coupled Motor Driven Butterfly Valve“MBV-AD-M Series” is a full-closed and Conductance control valves using high-performance, versatile Servo Motor.

This valve can be operated with versatile running patterns such as the positioning, opening / closing speed, etc. at the fully closed, fully open, and other optional position of valve disc.



<Characteristic>

- ① Full closing (shut-off valve) and conductance adjustment can be done by one unit.
- ② This valve can easily be opened under a differential pressure condition of vacuum-atmospheric pressure.
- ③ The stop position accuracy can be reproduced easily by adopting “Direct-coupled Motor Driven mechanism” and “Highly precise Gear head”.
- ④ Highly durable against an impact of large flow evacuation.
- ⑤ This valve is optimum for FPD related equipment (Coater System, Bonding equipment)
- ⑥ The valve disc position can be confirmed from the outside by its angle indicator.

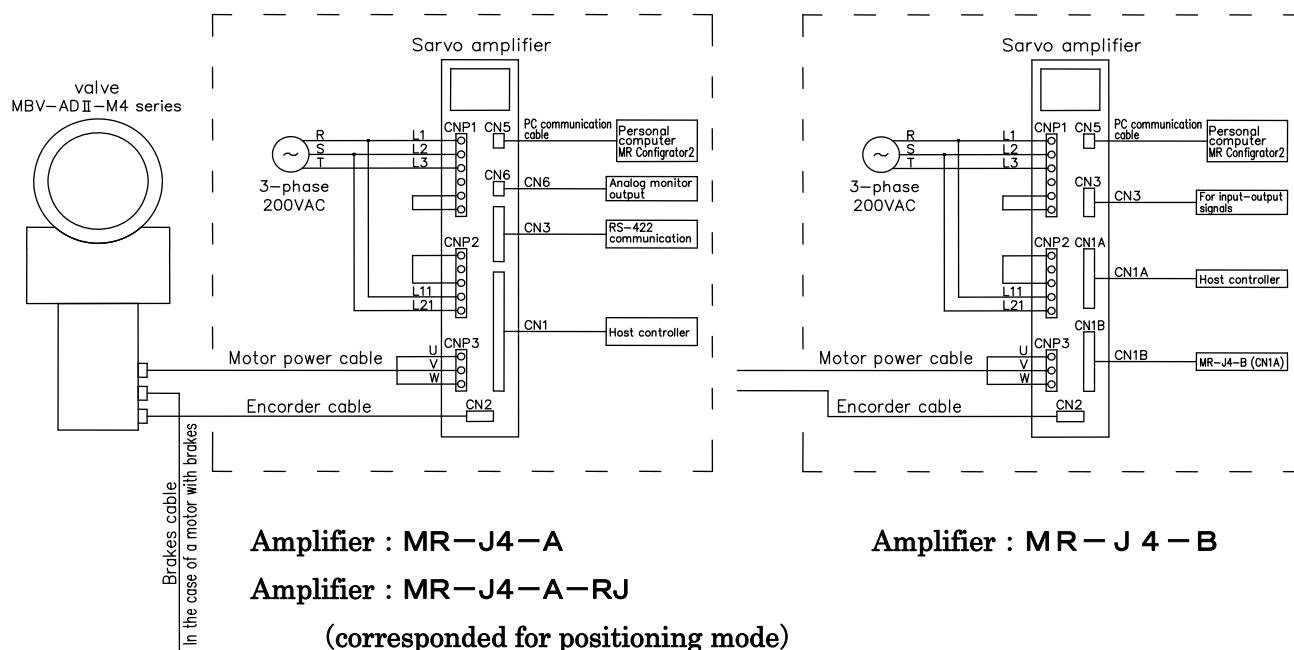
Note 1) The maximum value of the setting speed is decided according to the valve sizes.
Please have contact with our office.

<Basic specification of valve>

Type	MBV-ADII-M4 (Mitsubishi/MR-J4series) MBV-ADII-M4Br (Motor specifications/With brakes)
Bore	80A、100A、150A、200A、250A
Leak Rate	$1 \times 10^{-9} \text{ Pa m}^3 / \text{s max}$
Pressure Range	$10^5 \sim 10^{-6} \text{ Pa}$
Valve Disc Seal *1	EPDM O-ring
Valve Rod Seal *2	EPDM O-ring
Gas contact material	SUS304
Indicator	ANGLE INDICATOR
Option	PHOTO MICRO SENSOR

* 1、* 2 EPDM is standard, but other material can be selected to a use.

<System configuration>

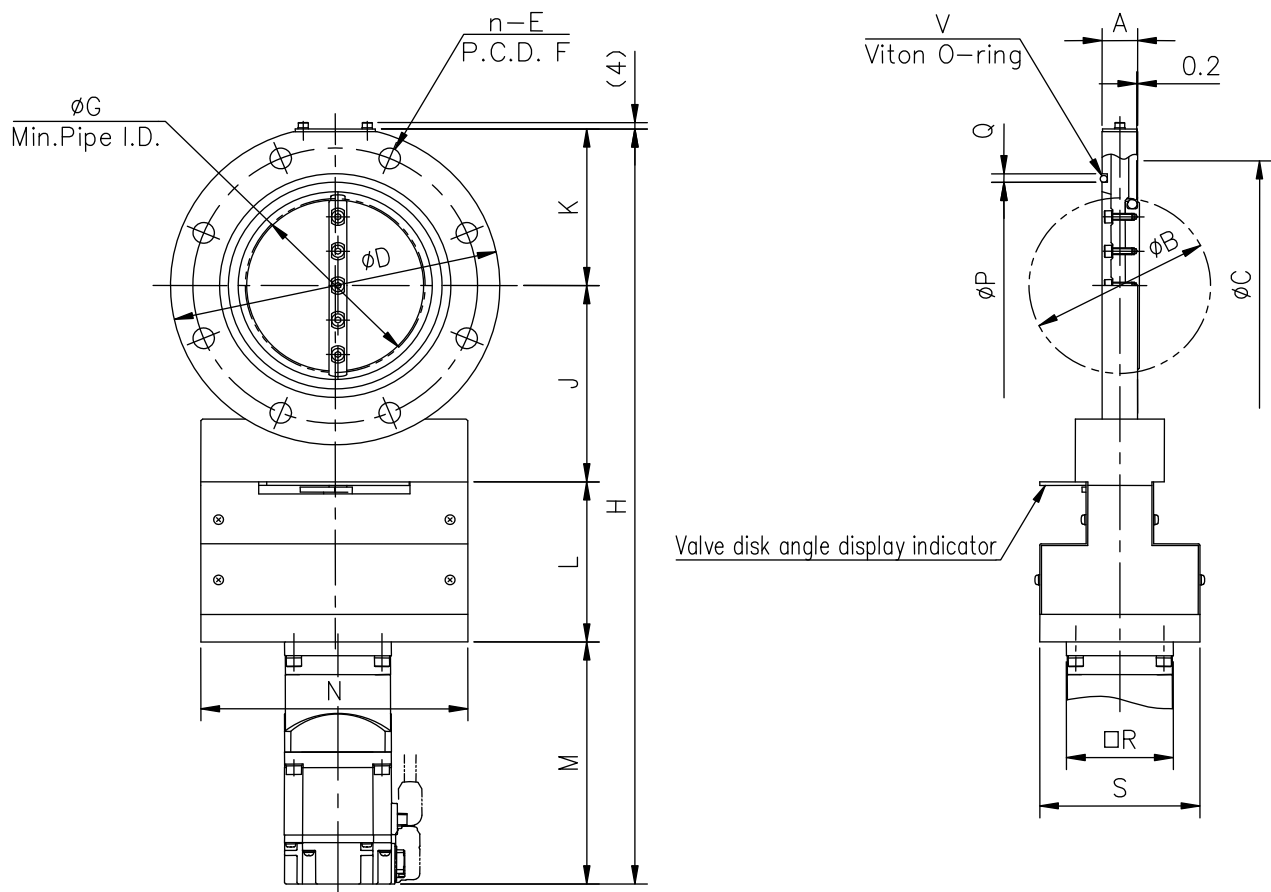


Remarks :

Mitsubishi Electric's AC Servo system has several control system besides the above.
Select the valve according to the servo system employed, and please request it.
Also cables are available so please contact us.

As for the inquiry, please to the following.

1162-1, Hotozawa, Gotemba-shi, Shizuoka, 412-0046, Japan	
TEL: 81-550-80-5200 FAX: 81-550-80-5205	
E-mail	fujitech@fujitechnology.co.jp
Home Page	http://www.fujitechnology.co.jp



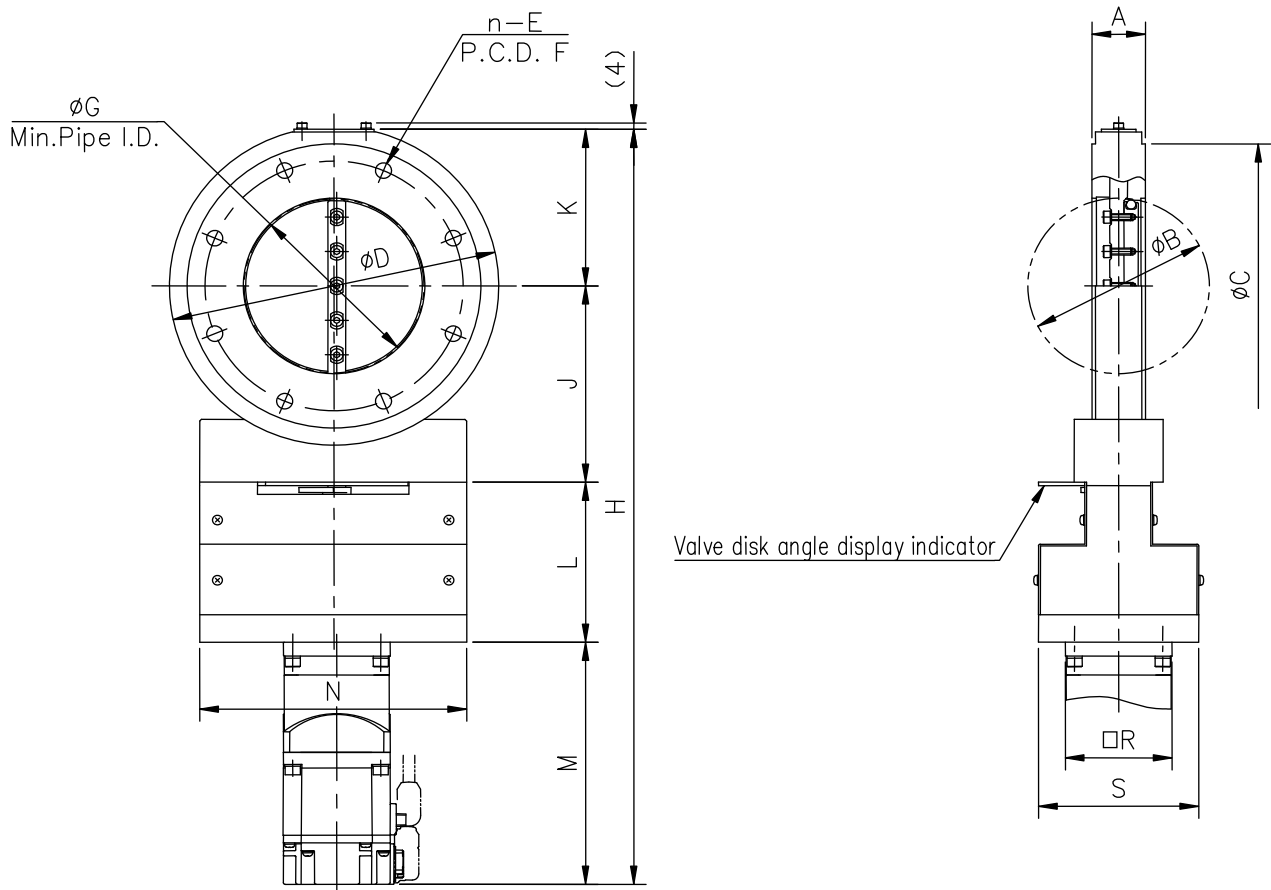
Unit in:mm

Model	MBV-3AD II-M4	MBV-4AD II-M4	MBV-6AD II-M4	MBV-8AD II-M4	MBV-10AD II-M4
MOD No.	10809□□	10810□□	10811□□	10812□□	10813□□
A	20	20	26	40	40
B	80	102	155	208	257
C	120	145	190	250	302
D	160	185	235	300	350
n—E	4- φ 12	8- φ 12	8- φ 12	8- φ 15	12- φ 15
F	135	160	210	270	320
G	79	101	154	206	253
H	413.5	439	503	639	689
J	101.5	114	140.5	176.5	201.5
K	78	91	116.5	148.5	173.5
L	93	93	98	132	132
M	141	141	148	182	182
N	150	150	160	225	225
P	100	120	175	225	275
Q	5	5	5	8	8
R	60	60	90	120	120
S	90	90	120	160	160
V	V100	V120	V175	V225	V275

Note1 : The above Flanges are accordance with older JIS B2290 Vacuum Flange for Vacuum Equipment (Flange for affiliated book maintenance)

※To improve this specification may change without notice.

Dimensions of MBV-JIS AD II-M4

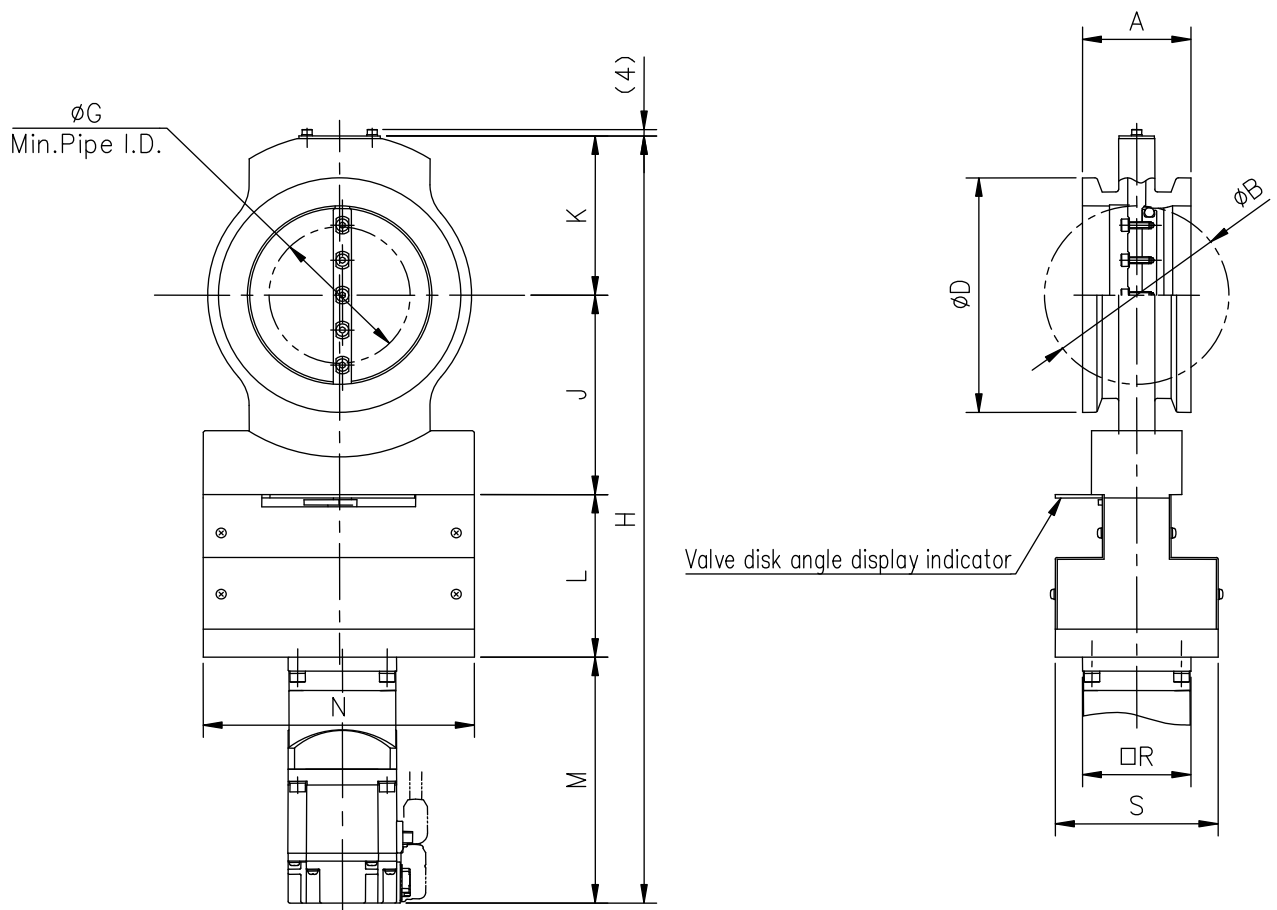


Unit in:mm

Model	MBV-ISO80AD II -M4	MBV-ISO100AD II -M4	MBV-ISO160AD II -M4	MBV-ISO200AD II -M4	MBV-ISO250AD II -M4
MOD No.	10867□□	10868□□	10870□□	10871□□	10872□□
A	30	30	50	50	50
B	80	102	155	208	257
C	145	165	225	285	335
D	160	185	235	300	350
n—E	8-φ9	8-φ9	8-φ11	12-φ11	12-φ11
F	125	145	200	260	310
G	74	97	144	199	249
H	413.5	439	503	639	689
J	101.5	114	140.5	176.5	201.5
K	78	91	116.5	148.5	173.5
L	93	93	98	132	132
M	141	141	148	182	182
N	150	150	160	225	225
R	60	60	90	120	120
S	90	90	120	160	160

Note1 : The above Flanges are accordance with ISO 1609 Vacuum technology Flange
 ※To improve this specification may change without notice.

Dimensions of MBV-ISO AD II -M4



Unit in:mm

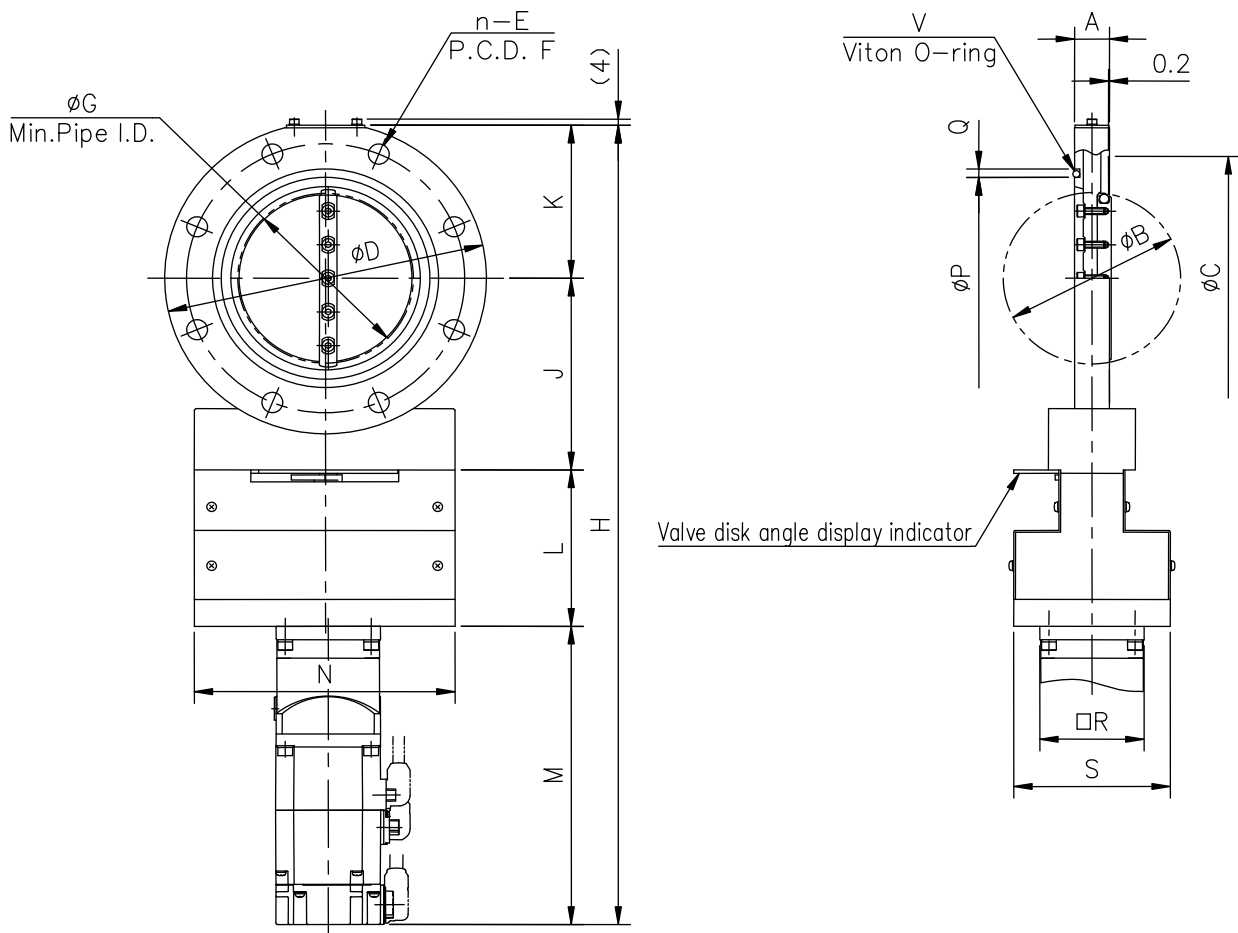
Model	MBV-NW80AD II-M4	MBV-NW100AD II-M4	MBV-NW160AD II-M4
MOD No.	10827□□	10828□□	10830□□
A	60	60	66
B	80	102	155
D	114	134	190
G	44	78	143
H	413.5	439	503
J	101.5	114	140.5
K	78	91	116.5
L	93	93	98
M	141	141	148
N	150	150	160
R	60	60	90
S	90	90	120

Note1 : When installing, use Fuji Technology made Multi-Clump. In case of using other Clumps, there are some cases

where installing is impossible owing to their shape.

※To improve this specification may change without notice

Dimensions of MBV-NW AD II -M4



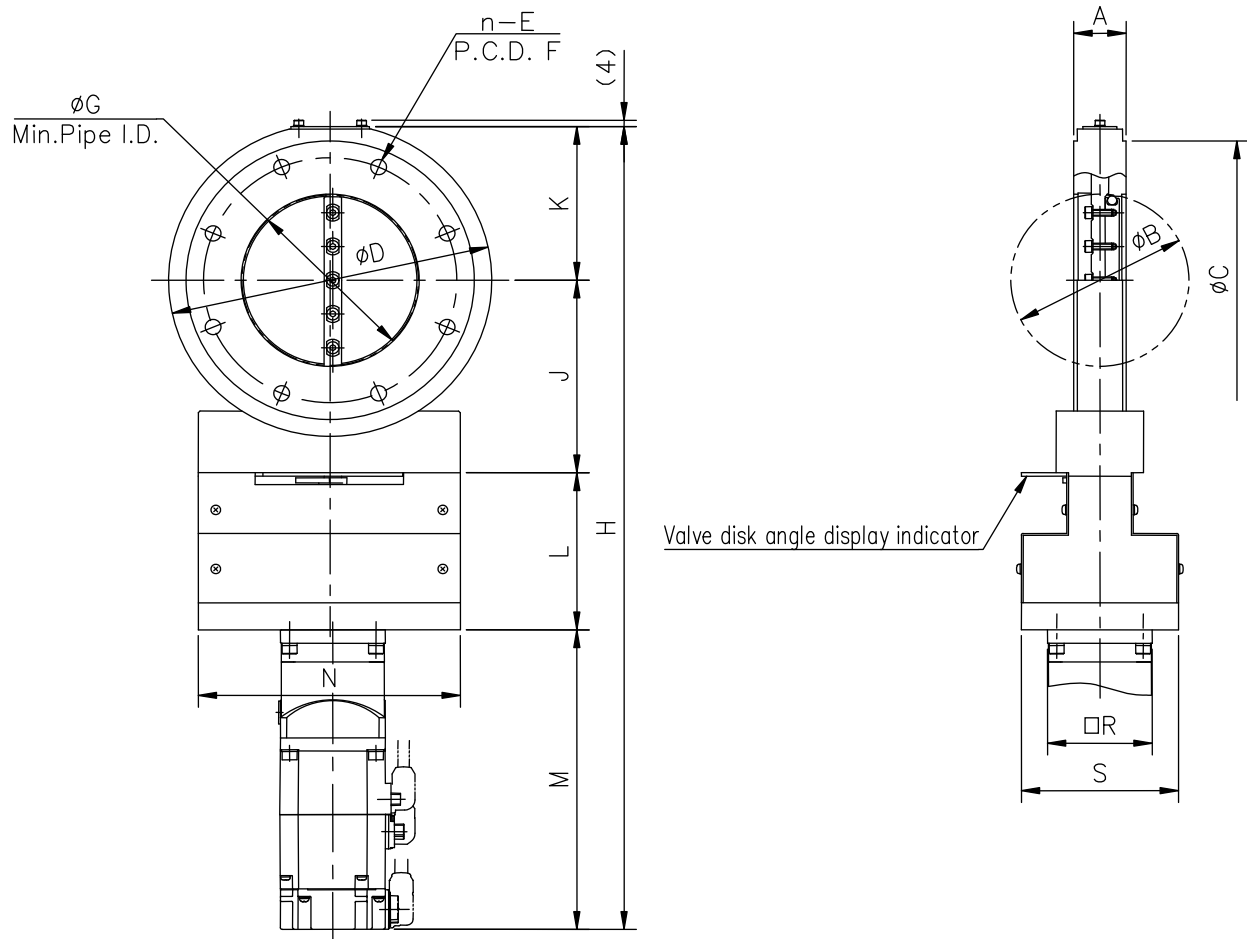
Unit in:mm

Model	MBV-3AD II-M4Br	MBV-4AD II-M4Br	MBV-6AD II-M4Br	MBV-8AD II-M4Br	MBV-10AD II-M4Br
MOD No.	10809□□	10810□□	10811□□	10812□□	10813□□
A	20	20	26	40	40
B	80	102	155	208	257
C	120	145	190	250	302
D	160	185	235	300	350
n—E	4- φ 12	8- φ 12	8- φ 12	8- φ 15	12- φ 15
F	135	160	210	270	320
G	79	101	154	206	253
H	450.5	476	540	676	726
J	101.5	114	140.5	176.5	201.5
K	78	91	116.5	148.5	173.5
L	93	93	98	132	132
M	178	178	185	219	219
N	150	150	160	225	225
P	100	120	175	225	275
Q	5	5	5	8	8
R	60	60	90	120	120
S	90	90	120	160	160
V	V100	V120	V175	V225	V275

Note1 : The above Flanges are accordance with older JIS B2290 Vacuum Flange for Vacuum Equipment (Flange for affiliated book maintenance)

※To improve this specification may change without notice.

Dimensions of MBV-JIS AD II -M4

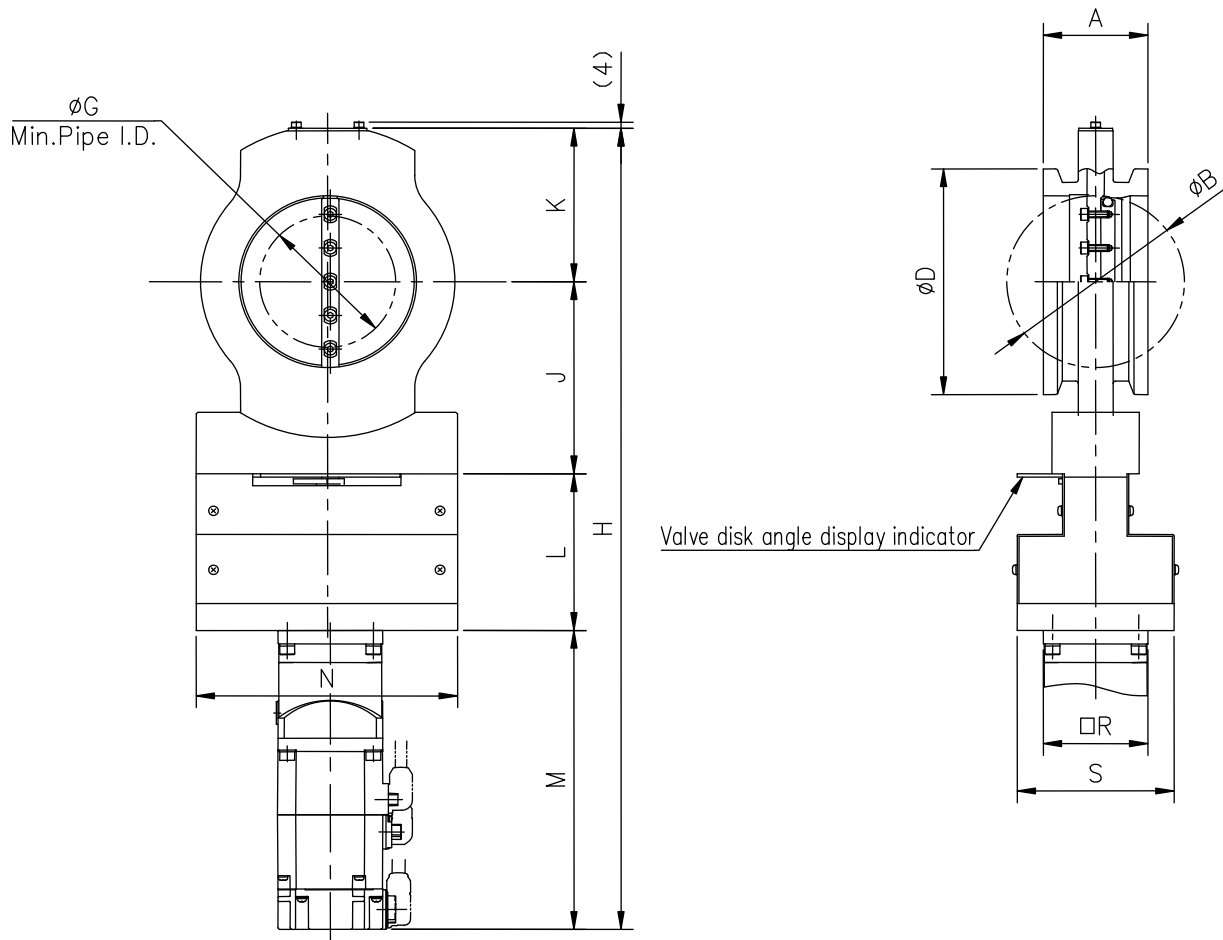


Unit in:mm

Model	MBV-ISO80AD II -M4Br	MBV-ISO100AD II -M4Br	MBV-ISO160AD II -M4Br	MBV-ISO200AD II -M4Br	MBV-ISO250AD II -M4Br
MOD No.	10867□□	10868□□	10870□□	10871□□	10872□□
A	30	30	50	50	50
B	80	102	155	208	257
C	145	165	225	285	335
D	160	185	235	300	350
n—E	8- φ 9	8- φ 9	8- φ 11	12- φ 11	12- φ 11
F	125	145	200	260	310
G	74	97	144	199	249
H	450.5	476	540	676	726
J	101.5	114	140.5	176.5	201.5
K	78	91	116.5	148.5	173.5
L	93	93	98	132	132
M	178	178	185	219	219
N	150	150	160	225	225
R	60	60	90	120	120
S	90	90	120	160	160

Note1 : The above Flanges are accordance with ISO 1609 Vacuum technology Flange
 ※To improve this specification may change without notice.

Dimensions of MBV-ISO AD II -M4



Unit in:mm

Model	MBV-NW80AD II -M4Br	MBV-NW100AD II -M4Br	MBV-NW160AD II -M4Br
MOD No.	10827□□	10828□□	10830□□
A	60	60	66
B	80	102	155
D	114	134	190
G	44	78	143
H	450.5	476	540
J	101.5	114	140.5
K	78	91	116.5
L	93	93	98
M	178	178	185
N	150	150	160
R	60	60	90
S	90	90	120

Note1 : When installing, use Fuji Technology made Multi-Clump. In case of using other Clumps, there are some cases where installing is impossible owing to their shape.
 ※To improve this specification may change without notice.

Dimensions of MBV-NW AD II -M4