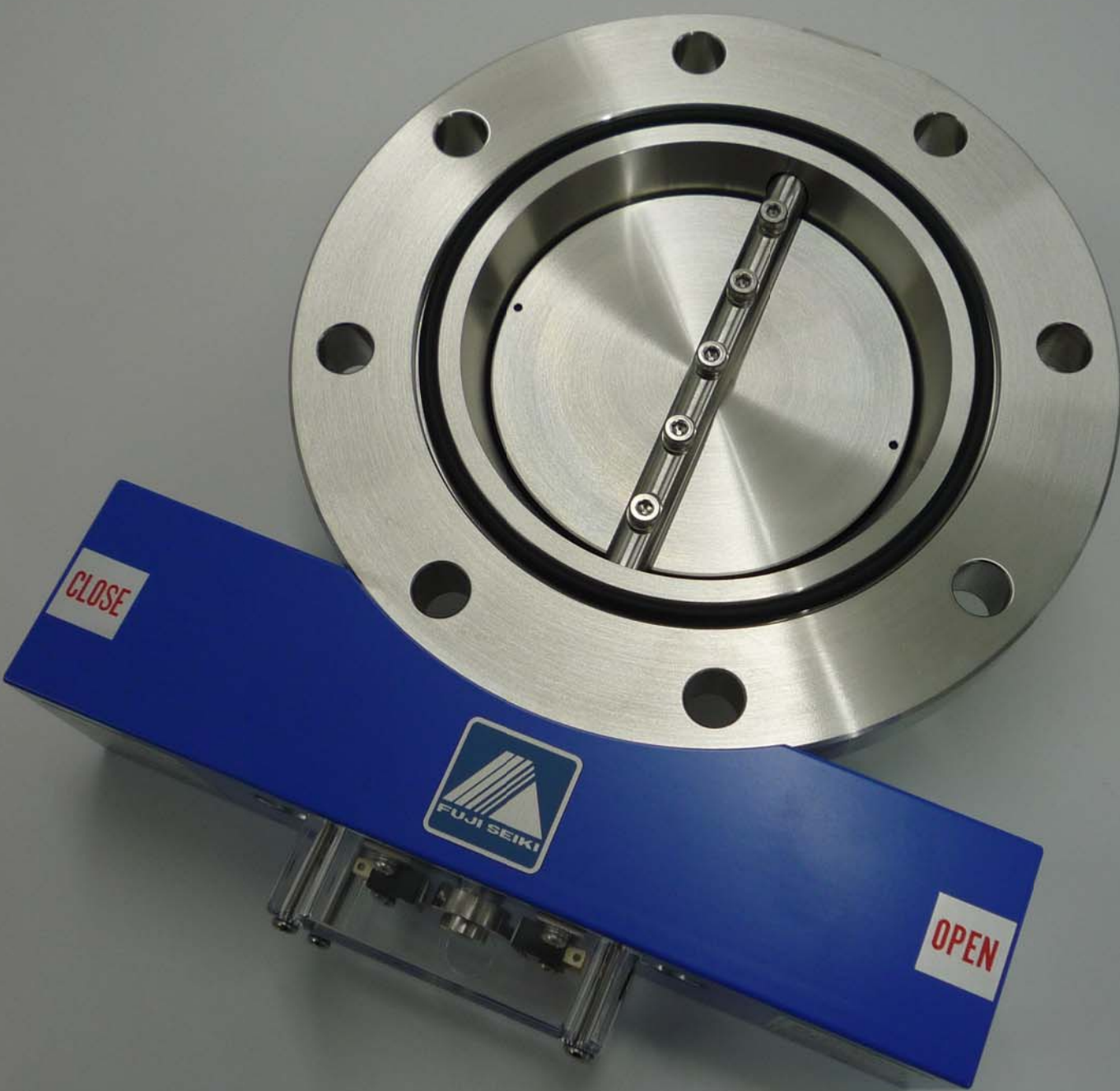




New Product
PATENTED

Vacuum Butterfly Valves X II -Series



Butterfly Valve AXO II Series

— The price is deferring payment with high efficiency, longer life more —

High performance

◇ 1,000,000 cycles and two years guarantee

Adopt a double cylinder system of patent mechanism (Pneumatic type)

- ◇ By adopting a double air cylinder method, an air thrust doubles during valve fully open, More impact force by the air damper mechanism have been alleviated.
- ◆ Double cylinder system is provided a bypass flow and the assist chamber in the cylinder
- ◇ The bypass flow is connected with the assist chamber from the valve fully open side cylinder chamber The diameter is reduced enough than the diameter of the air inlet.
- ◆ Piston movement will begin before sufficient air is supplied to assist chamber by this mechanism. When the valve body is fully opened, the pressure in the assist chamber becomes negative, so assist chamber will alleviate the impact force as air cushion.

Unchanged price , Immediately replaceable

- ◇ New series can be immediately exchange for the old series and the same dimensions.
- ◆ A price is the same as the old series, and excellent in cost performance.

<Basic specification>

STD Flange	JIS·NW·ISO·CF	Diameter	34~391(mm)
Leak Rate	$< 1 \times 10^{-9} \text{Pam}^3/\text{s}$	Gas contact material	SUS304
Pressure Range	$10^5 \sim 10^6 \text{Pa}$	Actuating air pressure	0.4~0.6MPa G
Disc seal	Viton O-ring	Shaft seal	Viton O-ring two-tier

- ※ The microswitch for an opening-and-closing display be included as standard.
- ※ The following condition is necessary to maintain the performance of this valve.
 - Periodic replacement of the valve disc O-ring
 - Periodic grease up the sealing surface of the valve
- ※ Subject to change without any notice.
- ※ Please contact us as we can manufacture special sizes and special specifications.



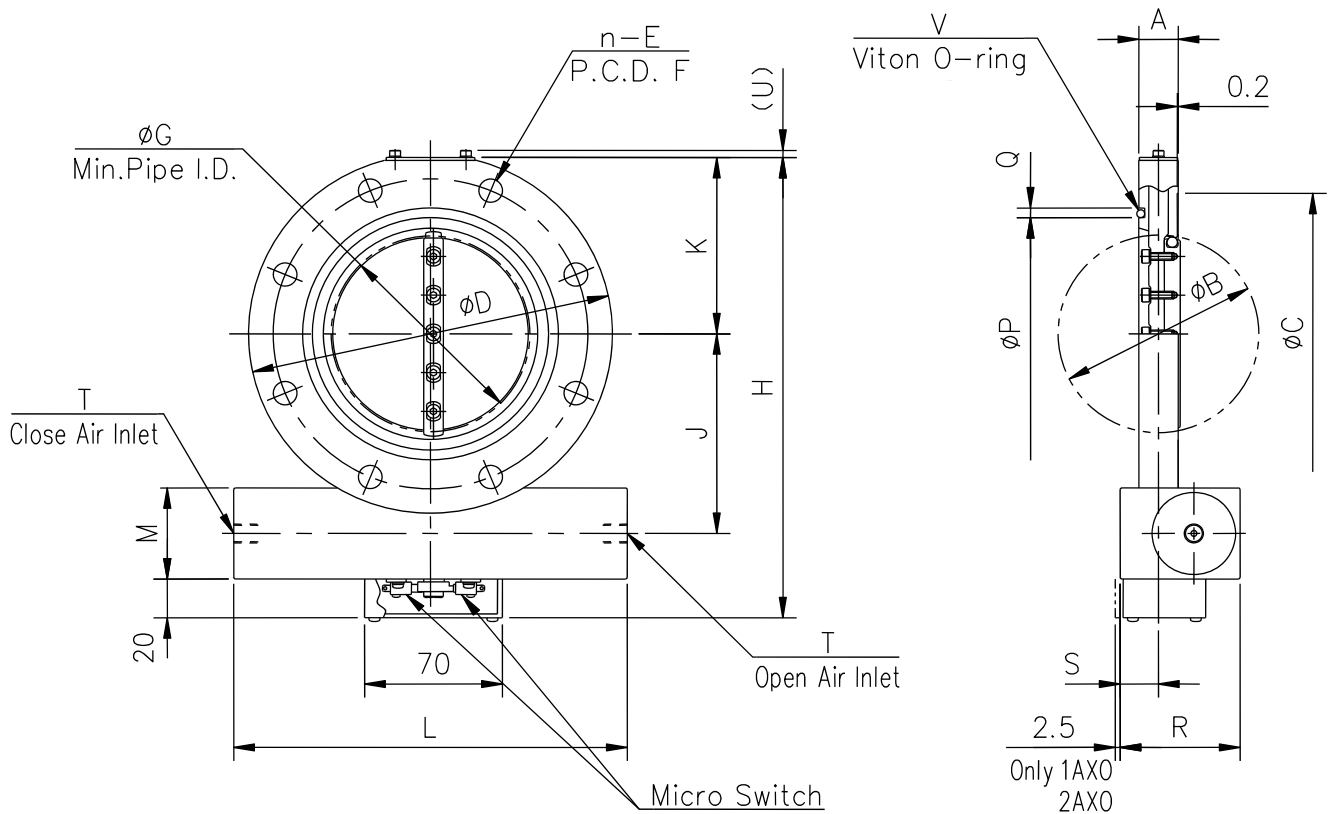
— Vacuous high technology is created —

FUJI SEIKI Group
FUJI Technology Inc.

■ Head office factory

1162-1, Hotozawa, Gotenba-shi, Shizuoka 412-0046 JAPAN E-mail: fujitech@fujitechnology.co.jp
TEL +81-550-80-5200 FAX +81-550-80-5205 <http://www.fujitechnology.co.jp>

20150509



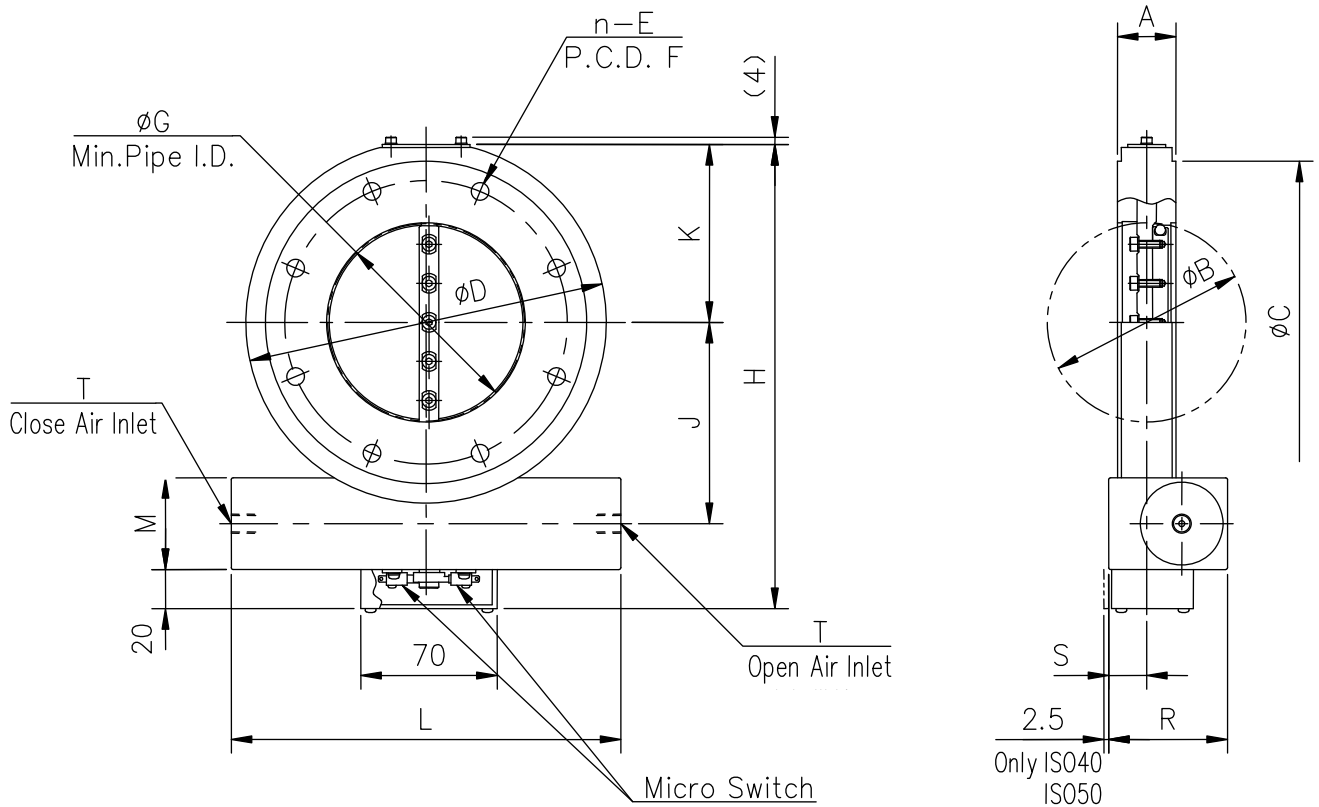
Unit in:mm

Model	BV-1AXO II	BV-2AXO II	BV-2.5AXO II	BV-3AXO II	BV-4AXO II	BV-6AXO II	BV-8AXO II	BV-10AXO II	BV-12AXO II	BV-14AXO II	BV-16AXO II
MOD No.	10905□□	10907□□	10908□□	10909□□	10910□□	10911□□	10912□□	10913□□	10914□□	10915□□	10916□□
A	20	20	20	20	20	26	40	40	45	50	65
B	34	52	65	80	102	155	208	257	307	355	391
C	58	88	105	120	145	190	250	302	352	402	458
D	90	120	145	160	185	235	300	350	400	450	520
n-E	4-φ10	4-φ10	4-φ12	4-φ12	8-φ12	8-φ12	8-φ15	12-φ15	12-φ15	12-φ15	12-φ19
F	70	100	120	135	160	210	270	320	370	420	480
G	32	51	64	79	101	154	206	253	303	354	391
H	138	168.5	198	212	237.5	299	380	446	496	552	632
J	55	70	83	90.5	103	127.5	165	200	225	240	285
K	43	58.5	71.5	78	91	116.5	148.5	173.5	198.5	224	259
L	170	170	200	200	200	270	350	380	380	584	584
M	40	40	47	47	47	70	93	105	105	136	136
P	40	70	85	100	120	175	225	275	325	380	430
Q	5	5	5	5	5	5	8	8	8	8	8
R	55	55	61	61	61	79	107.5	123.5	123.5	185	185
S	15.5	15.5	19.5	19.5	19.5	22	23	23	23	37	37
T	Rp1/8	Rp1/8	Rp1/8	Rp1/8	Rp1/8	Rc1/4	Rc1/4	Rc1/4	Rc1/4	Rc1/4	Rc1/4
U	4	4	4	4	4	4	4	4	4	5	5
V	V40	V70	V85	V100	V120	V175	V225	V275	V325	V380	V430

Note1 : The above Flanges are accordance with older JIS B2290 Vacuum Flange for Vacuum Equipment
(Flange for affiliated book maintenance)

※ To improve this specification may change without notice.

Dimensions of BV-JIS AXO II Series

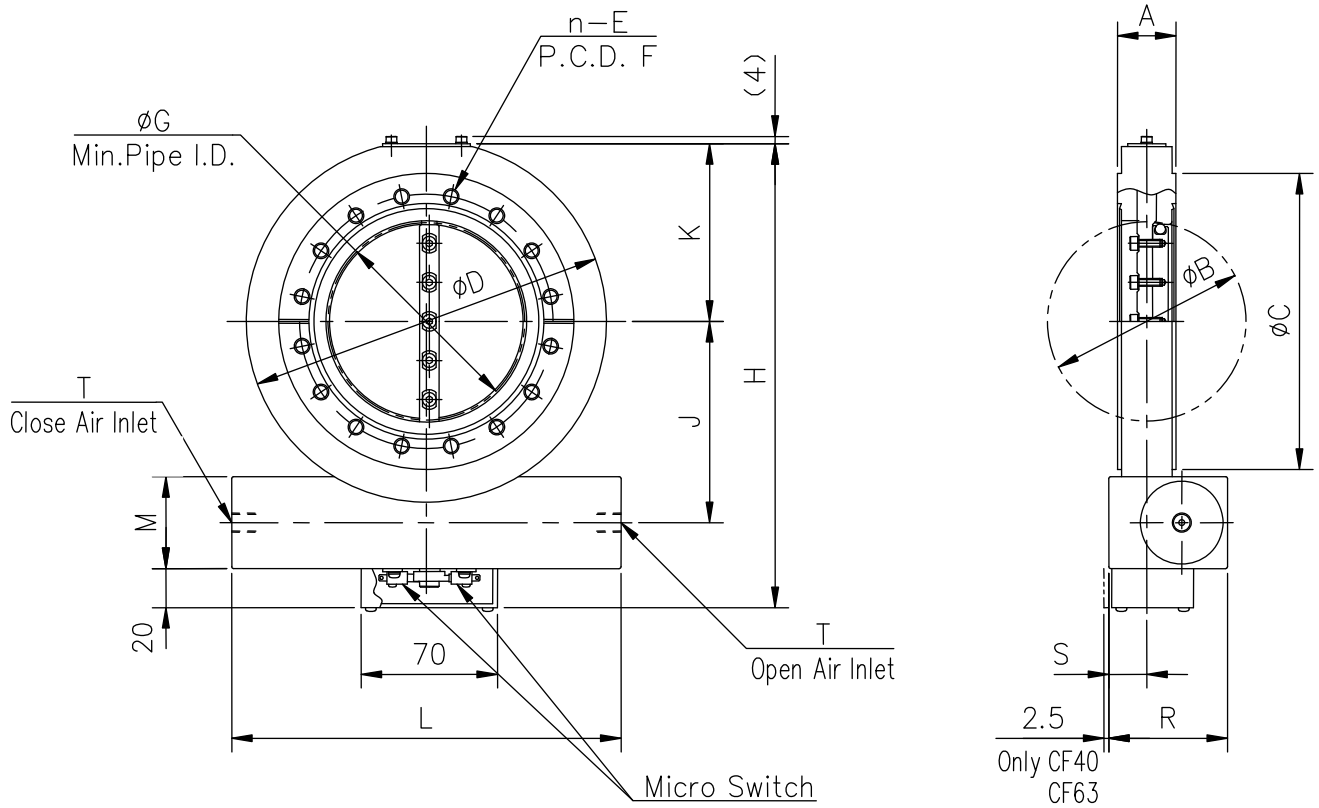


Unit in:mm

Model	BV-ISO40AXO	BV-ISO50AXO	BV-ISO63AXO	BV-ISO80AXO	BV-ISO100AXO	BV-ISO160AXO	BV-ISO200AXO	BV-ISO250AXO
MOD No.	10965	10966	10967	10967	10968	10970	10971	10972
A	30	30	30	30	30	50	50	50
B	34	52	65	80	102	155	208	257
C	100	110	130	145	165	225	285	335
D	120	120	145	160	185	235	300	350
n—E	4- 9	4- 9	4- 9	8- 9	8- 9	8- 11	12- 11	12- 11
F	80	90	110	125	145	200	260	310
G	20	45	59	74	97	144	199	249
H	168.5	168.5	198	212	237.5	299	380	446
J	70	70	83	90.5	103	127.5	165	200
K	58.5	58.5	71.5	78	91	116.5	148.5	173.5
L	170	170	200	200	200	270	350	380
M	40	40	47	47	47	70	93	105
R	55	55	61	61	61	79	107.5	123.5
S	15.5	15.5	19.5	19.5	19.5	22	23	23
T	Rp1/8	Rp1/8	Rp1/8	Rp1/8	Rp1/8	Rc1/4	Rc1/4	Rc1/4

Notel : The above Flanges are accordance with ISO 1609 Vacuum technology Flange
To improve this specification may change without notice.

Dimensions of BV-ISO AXO Series



Unit in:mm

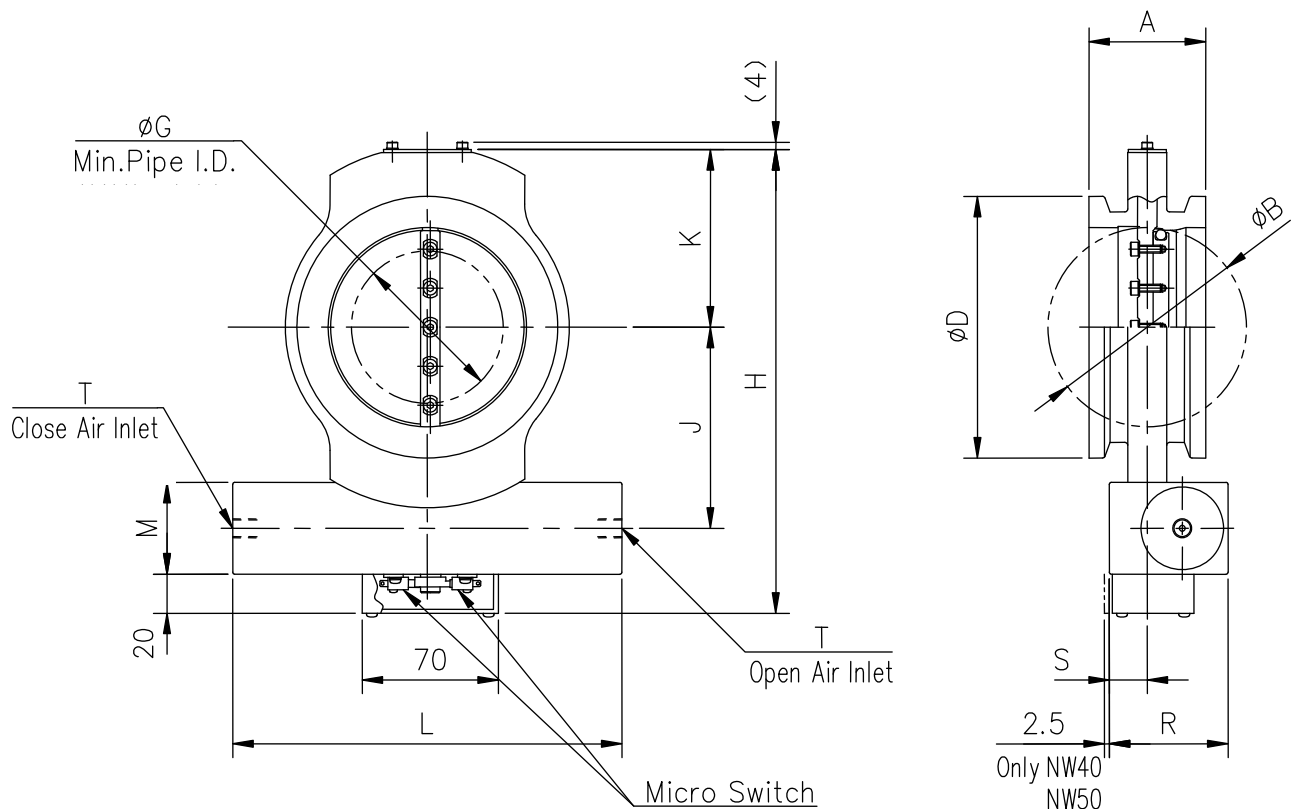
Model	BV- CF40AXO	BV- CF63AXO	BV- CF100AXO	BV- CF160AXO	BV- CF200AXO	BV- CF250AXO
MOD No.	10940	10942	10944	10945	10947	10948
A	30	30	30	50	50	50
B	34	52	102	155	208	257
C	69.4	113.5	151.6	202.4	253.2	305.0
D	90	120	185	235	300	350
n—E	6-M6	8-M8	16-M8	20-M8	24-M8	32-M8
F	58.7	92.1	130.2	181	231.8	284
G	20	45	97	144	199	249
H	138	168.5	237.5	299	380	446
J	55	70	103	127.5	165	200
K	43	58.5	91	116.5	148.5	173.5
L	170	170	200	270	350	380
M	40	40	47	70	93	105
R	55	55	61	79	107.5	123.5
S	15.5	15.5	19.5	22	23	23
T	Rp1/8	Rp1/8	Rp1/8	Rc1/4	Rc1/4	Rc1/4

Note1 : The above Flanges are accordance with ISO/TS 3669-2 Vacuum technology-Bakable flanges-Part2:Dimension of knife-edge flanges

Note2 : No Groove for leakage detection no CF 40

To improve this specification may change without notice.

Dimensions of BV-CF AXO Series



Unit in:mm

Model	BV-NW40AXO	BV-NW50AXO	BV-NW63AXO	BV-NW80AXO	BV-NW100AXO	BV-NW160AXO
MOD No.	10924	10925	10926	10927	10928	10930
A	40	40	40	60	60	66
B	34	52	65	80	102	155
D	55	75	87	114	134	190
G	0	25	56	44	78	143
H	138	168.5	198	212	237.5	299
J	55	70	83	90.5	103	127.5
K	43	58.5	71.5	78	91	116.5
L	170	170	200	200	200	270
M	40	40	47	47	47	70
R	55	55	61	61	61	79
S	15.5	15.5	19.5	19.5	19.5	22
T	Rp1/8	Rp1/8	Rp1/8	Rp1/8	Rp1/8	Rc1/4

Note1 : When installing, use Fuji Technology made Multi-Clump. In case of using other Clumps, there are some cases where installing is impossible owing to their shape.

To improve this specification may change without notice.

Dimensions of BV-NW AXO Series

Advantage in the conductance

Thinnest thickness as vacuum valves, and the conductance is largest.

An efficient exhaust is enabled by the thinnest thickness to be increase the open conductance.

Throttle Butterfly Valves (SBVM Model)

◇ Worm-wheel is mounted on the valves, Conductance can be changed freely by just turning knob.

And also can be used as a hand-manual valves which can fully shut and open.

◆ By keeping constant pressure of vacuum chamber systems could exhaust flow control at main exhaust line is the best. However, if it is necessary to control put conductance valve into the bypass piping and the main exhaust line of small diameter, manually fix the valve opening at an arbitrary position butterfly valve which can adjust the conductance of the conductance valve.

Lever steering wheel Butterfly Valves (BVM Model)

◇ BVM type can be opened and closed quickly with one touch by turning 90 degrees the lever handle that was directly connected to the valve body.

< Basic specification >

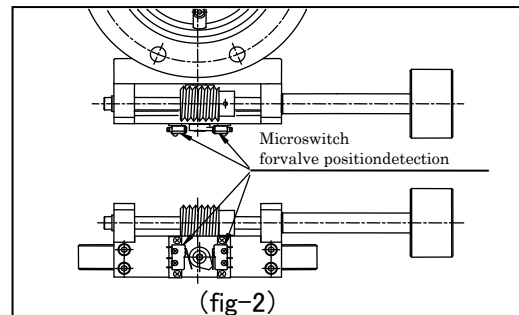
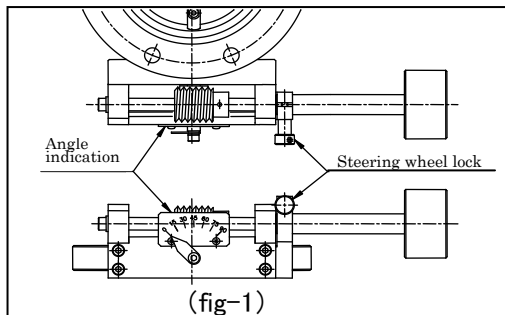
STD Flange	JIS · NW · ISO · CF (SBVM)	Diameter	25A ~ 250A (SBVM)
	JIS · NW (BVM)		25A ~ 150A (BVM)
Leak Rate	$< 1 \times 10^{-9} \text{Pa m}^3 / \text{s}$	Gas contact material	SUS304
Pressure Range	$10^5 \sim 10^{-6} \text{Pa}$	Option	Microswitch
Disc seal	Viton O-ring		Angle indication
Shaft seal	Viton O-ring two-tier		Steering wheel lock

※ SBVM type can be attached with angle indication that can confirm the angle of valve disc and lock mechanism that can surely fix the middle position of valve disc. (fig-1)

※ The microswitch for an opening-and-closing display can be installed in an option. (fig-2)

※ Subject to change without any notice.

※ Please contact us as we can manufacture special sizes and special specifications.



— Vacuum high technology is created —

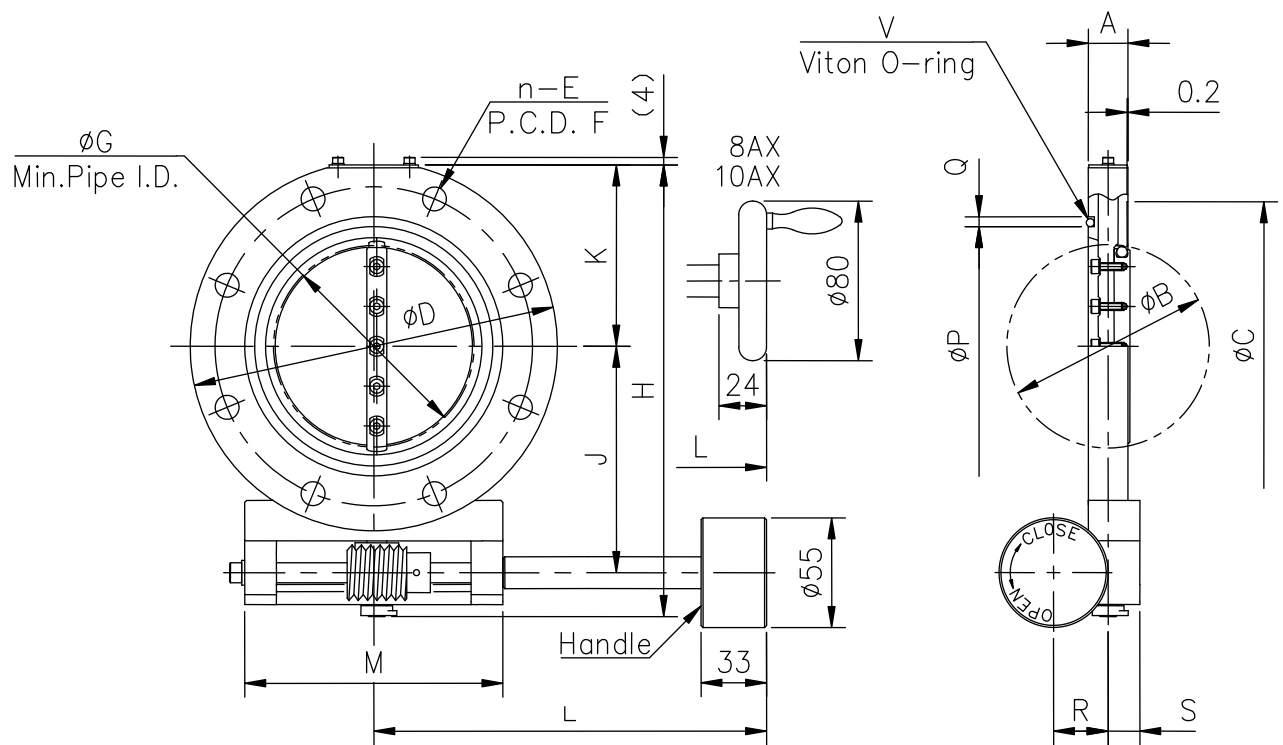
FUJI SEIKI Group

FUJI Technology Inc.

■ Head office factory

1162-1, Hotozawa, Gotenba-shi, Shizuoka 412-0046 JAPAN E-mail: fujitech@fujitechnology.co.jp

TEL +81-550-80-5200 FAX +81-550-80-5205 <http://www.fujitechnology.co.jp>



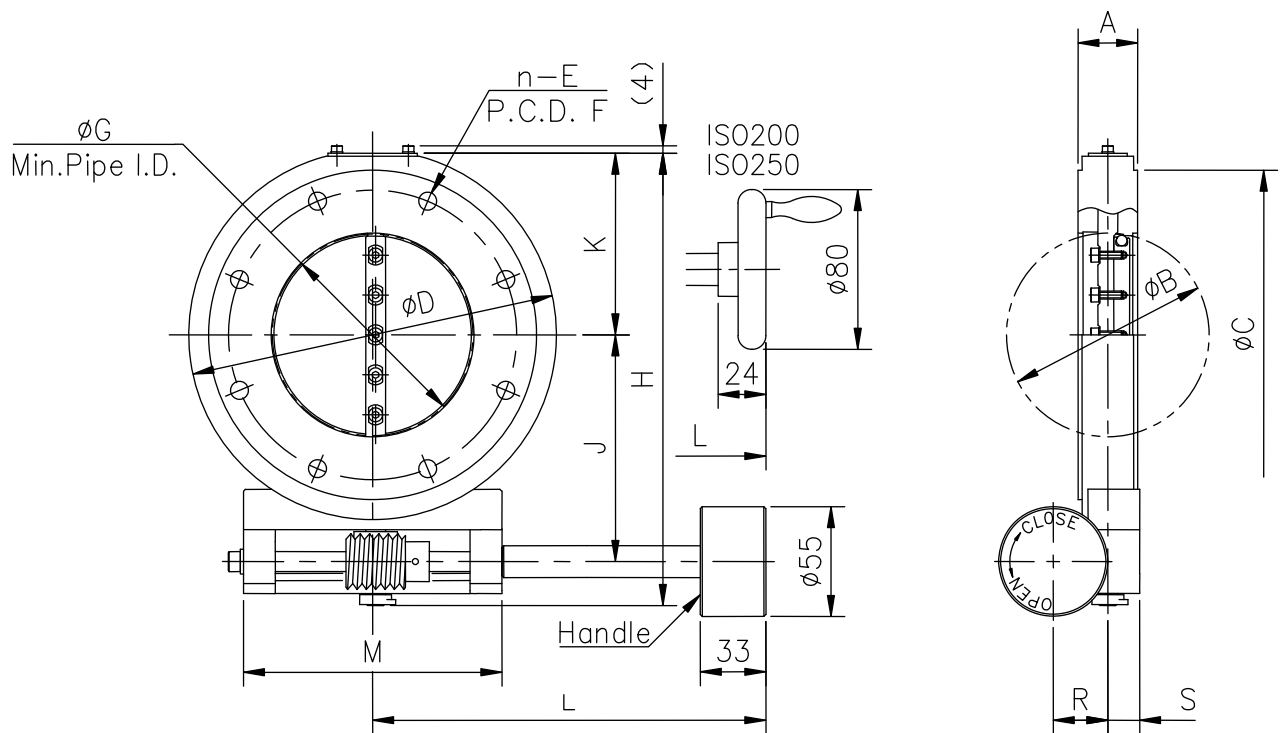
Unit in:mm

Model	SBVM-1AX	SBVM-2AX	SBVM-2.5AX	SBVM-3AX	SBVM-4AX	SBVM-6AX	SBVM-8AX	SBVM-10AX
MOD No.	10605	10607	10608	10609	10610	10611	10612	10613
A	20	20	20	20	20	26	40	40
B	34	52	65	80	102	155	208	257
C	58	88	105	120	145	190	250	302
D	90	120	145	160	185	235	300	350
n—E	4- 10	4- 10	4- 12	4- 12	8- 12	8- 12	8- 15	12- 15
F	70	100	120	135	160	210	270	320
G	32	51	64	79	101	154	206	253
H	127.5	158	183.5	201.5	227	288	370	436
J	59	74	86.5	101	113.5	138.5	176	201
K	43	58.5	71.5	78	91	116.5	148.5	173.5
L	157	157	157	178	198	235	294	294
M	80	80	95	90	130	150	144	144
P	40	70	85	100	120	175	225	275
Q	5	5	5	5	5	5	8	8
R	20	20	20	27.5	27.5	35	35	35
S	16	16	16	16	16	20	25	25
V	V40	V70	V85	V100	V120	V175	V225	V275

Notel : The above Flanges are accordance with older JIS B2290 Vacuum Flange for Vacuum Equipment (Flange for affiliated book maintenance)

To improve this specification may change without notice.

Dimensions of SBVM-JIS AX Series

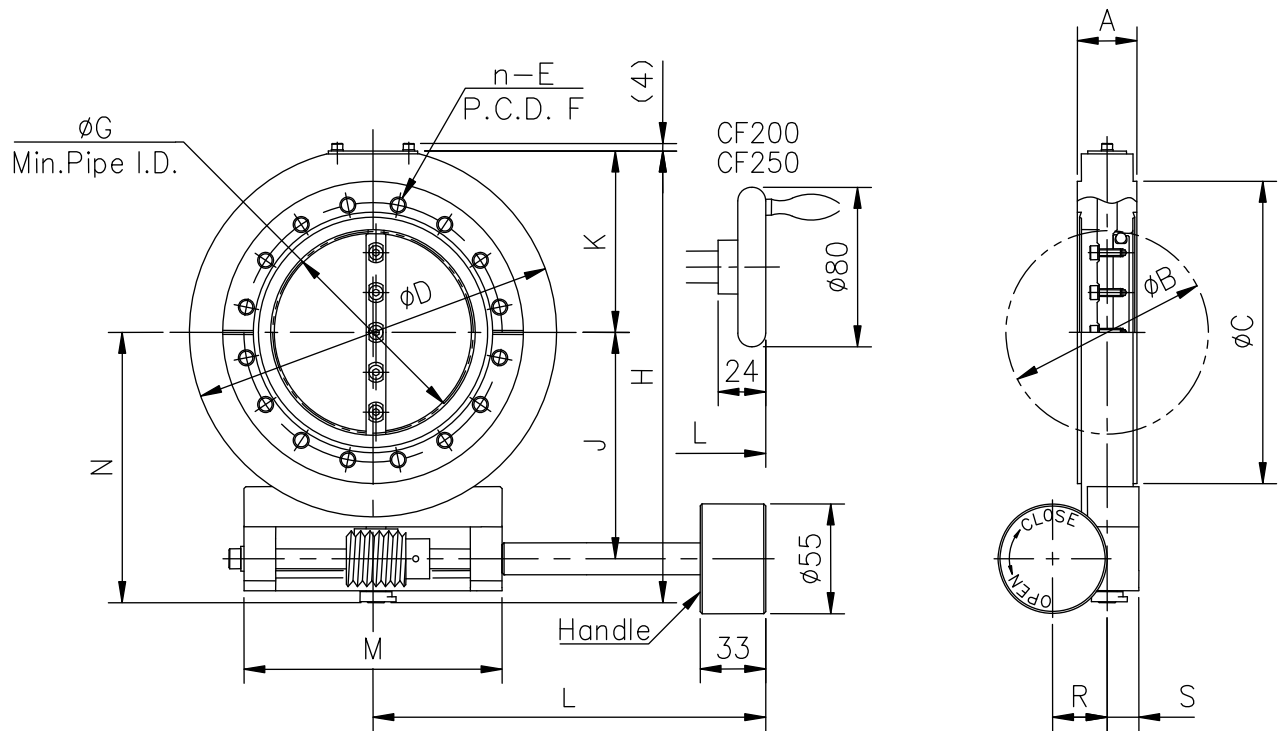


Unit in:mm

Model	SBVM-ISO40AX	SBVM-ISO50AX	SBVM-ISO63AX	SBVM-ISO80AX	SBVM-ISO100AX	SBVM-ISO160AX	SBVM-ISO200AX	SBVM-ISO250AX
MOD No.	10665	10666	10667	10667	10668	10670	10671	10672
A	30	30	30	30	30	50	50	50
B	34	52	65	80	102	155	208	257
C	100	110	130	145	165	225	285	335
D	120	120	145	160	185	235	300	350
n-E	4- 9	4- 9	4- 9	8- 9	8- 9	8- 11	12- 11	12- 11
F	80	90	110	125	145	200	260	310
G	20	45	59	74	97	144	199	249
H	158	158	183.5	201.5	227	288	370	436
J	74	74	86.5	101	113.5	138.5	176	201
K	58.5	58.5	71.5	78	91	116.5	148.5	173.5
L	157	157	157	178	198	235	294	294
M	80	80	95	90	130	150	144	144
R	20	20	20	27.5	27.5	35	35	35
S	16	16	16	16	16	20	25	25

Note1 : The above Flanges are accordance with ISO 1609 Vacuum technology Flange
To improve this specification may change without notice.

Dimensions of SBVM-ISO AX Series



Unit in:mm

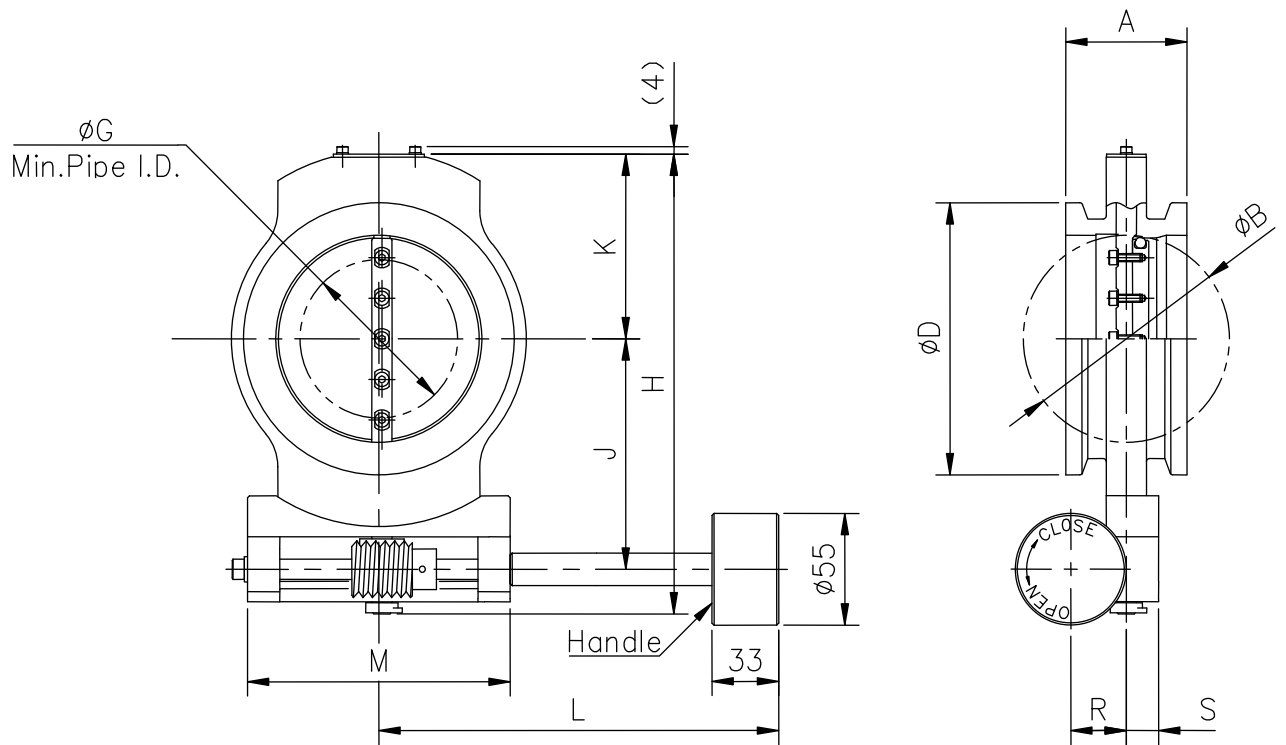
Model	SBVM-CF40AX	SBVM-CF63AX	SBVM-CF100AX	SBVM-CF160AX	SBVM-CF200AX	SBVM-CF250AX
MOD No.	10640	10642	10644	10645	10647	10648
A	30	30	30	50	50	50
B	34	52	102	155	208	257
C	69.4	113.5	151.6	202.4	253.2	305.0
D	90	120	185	235	300	350
n—E	6-M6	8-M8	16-M8	20-M8	24-M8	32-M8
F	58.7	92.1	130.2	181	231.8	284
G	20	45	97	144	199	249
H	127.5	158	227	288	370	436
J	59	74	113.5	138.5	176	201
K	43	58.5	91	116.5	148.5	173.5
L	157	157	198	235	294	294
M	80	80	130	150	144	144
R	20	20	27.5	35	35	35
S	16	16	16	20	25	25

Note1 : The above Flanges are accordance with ISO/TS 3669-2 Vacuum technology-Bakable flanges-Part2:Dimension of knife-edge flanges

Note3 : No Groove for leakage detection no CF 40

To improve this specification may change without notice.

Dimensions of SBVM-CFAX Series



Unit in:mm

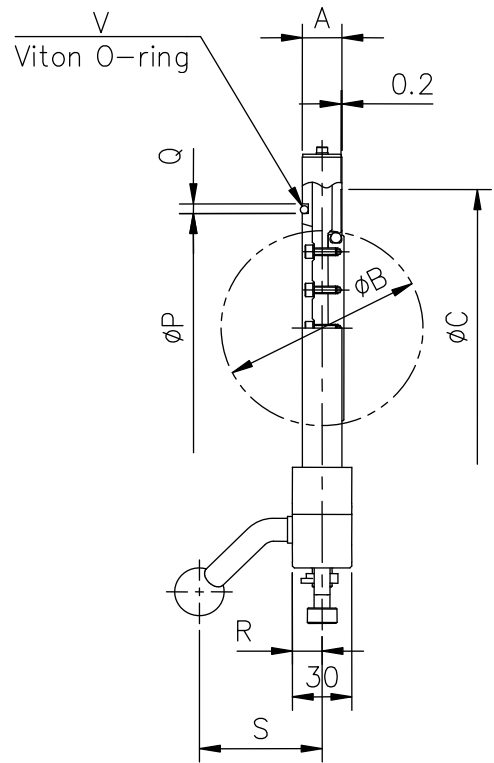
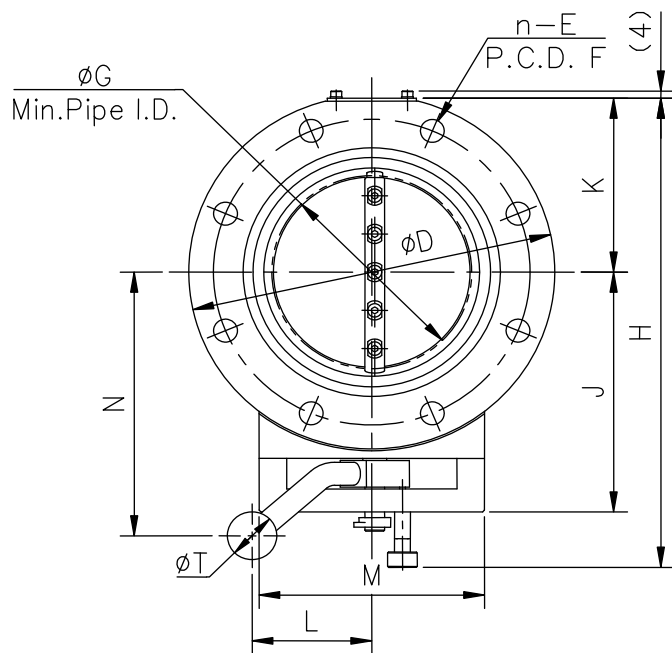
Model	SBVM-NW40AX	SBVM-NW50AX	SBVM-NW63AX	SBVM-NW80AX	SBVM-NW100AX
MOD No.	10624	10625	10626	10627	10628
A	40	40	40	60	60
B	34	52	65	80	102
D	55	75	87	114	134
G	0	25	56	44	78
H	127.5	158	183.5	201.5	227
J	59	74	86.5	101	113.5
K	43	58.5	71.5	78	91
L	157	157	157	178	198
M	80	80	95	90	130
R	20	20	20	27.5	27.5
S	16	16	16	16	16

Note1 : When installing, use Fuji Technology made Multi-Clump. In case of using other Clumps, there are some cases where installing is impossible owing to their shape.

Note2 : A motor position type enters in () of form. (It chooses from four positions)

To improve this specification may change without notice.

Dimensions of SBVM-NWAX Series



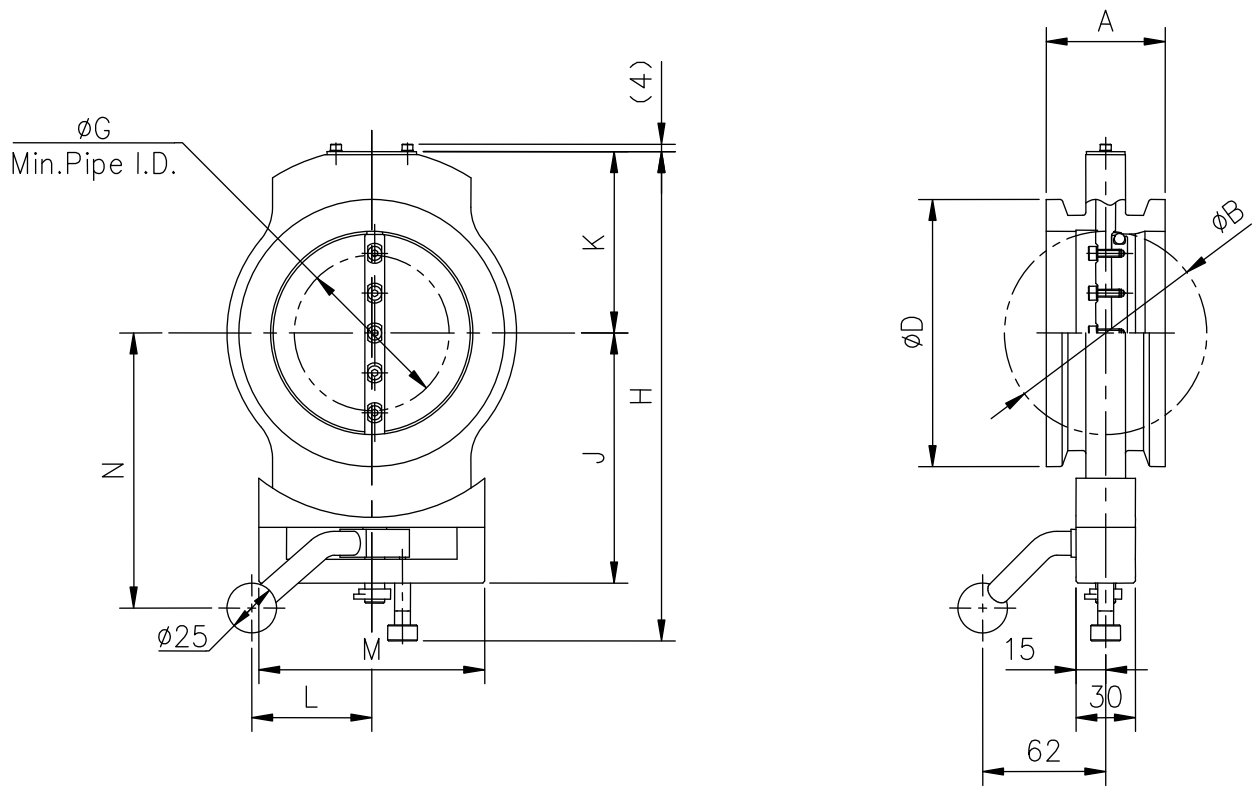
Unit in:mm

Model	BVM-1AX	BVM-2AX	BVM-2.5AX	BVM-3AX	BVM-4AX	BVM-6AX
MOD No.	10405	10407	10408	10409	10410	10411
A	20	20	20	20	20	26
B	34	52	65	80	102	155
C	58	88	105	120	145	190
D	90	120	145	160	185	235
n—E	4- 10	4- 10	4- 12	4- 12	8- 12	8- 12
F	70	100	120	135	160	210
G	32	51	64	79	101	154
H	149	179.5	205	220	245.5	292
J	77	92	104.5	113	125.5	154.5
K	43	58.5	71.5	78	91	116.5
L	62	62	61	61	60.5	113
M	80	80	85	88	114	145
N	90	105	117.5	125	138	197
P	40	70	85	100	120	175
Q	25	25	25	25	25	30
R	15	15	15	15	15	14
S	62	62	62	62	62	115
T	25	25	25	25	25	30
V	V40	V70	V85	V100	V120	V175

Notel : The above Flanges are accordance with older JIS B2290 Vacuum Flange for Vacuum Equipment (Flange for affiliated book maintenance)

To improve this specification may change without notice.

Dimensions of BVM-JIS AX Series



Unit in:mm

Model	BVM-NW40AX	BVM-NW50AX	BVM-NW63AX	BVM-NW80AX	BVM-NW100AX
MOD No.	10424	10425	10426	10427	10428
A	40	40	40	60	60
B	34	52	65	80	102
D	55	75	87	114	134
G	0	25	56	44	78
H	149	179.5	205	220	245.5
J	77	92	104.5	113	125.5
K	43	58.5	71.5	78	91
M	80	80	85	88	114
L	62	62	61	61	60.5
N	90	105	117.5	125	138

Notel : When installing, use Fuji Technology made Multi-Clump. In case of using other Clumps, there are some cases where installing is impossible owing to their shape.
To improve this specification may change without notice.

Dimensions of BVM-NWAX Series