



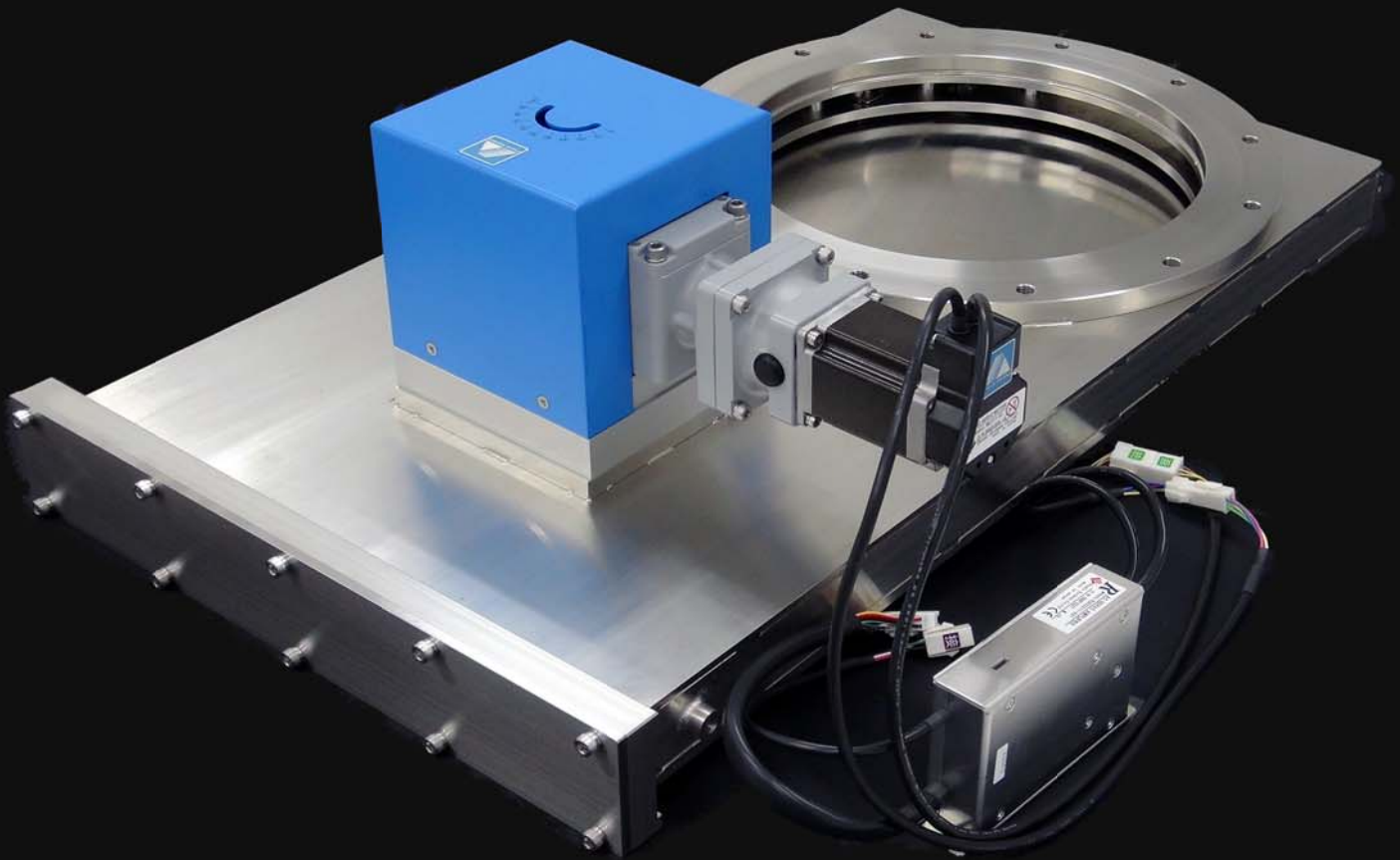
New Product

PATENTED

Multi-Position Motor Drive

Compact Gate Valves MEX-LD Serie

Washed cleanly and compact type used for high-vacuum



FUJI Technology
VACUUM SYSTEMS SPECIALIST

PATENTED

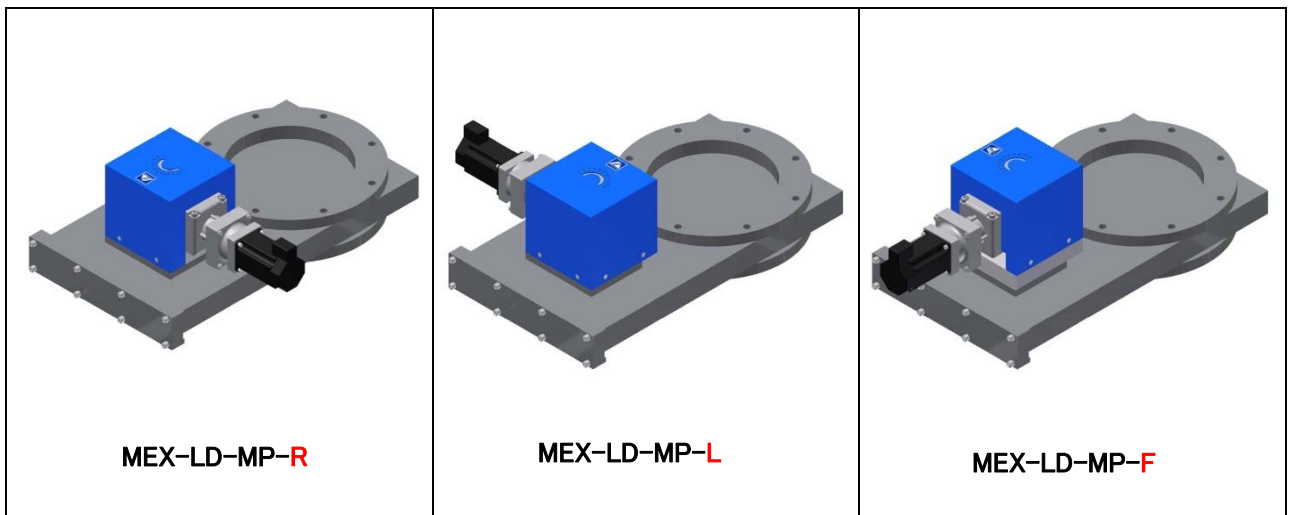
Multi-Position・Motor Drive・Compact Gate Valve

MEX-LD-MP Series

Our original drive system has superior cost performance

- 1.Low-price Automatic pressure control is made low-priced
- 2.High-performance Adopt high performance servomotor and new driven mechanism
- 3.High-functionality Full closing, Multi-position control, Auto pressure control
Motor position-selected (three-position)

◇select from three types



<Features >

- ◇ Full closing (shut-off valve) and conductance adjustment can be done by one unit.
- ◆ The stop position accuracy can be reproduced easily by adopting “Highly precise Gear head”.
- ◇ This valve can be stopped at any position of maximum 14- position and at the fully closed, fully open. Positioning settings can be done easily with the teaching box or PC software.
- ◆ By adding optional components for control, automatic pressure control valve can be used as.
- ◇ The valve disc position can be confirmed from the outside by its angle indicator.
- ◆ The ability to select the motor position can be flexible to a variety of layouts, and utilize the space to install the exhaust system.
- ◇ Fully closed and fully open position detecting sensor can be equipped as an option.



— Vacuous high technology is created —

FUJI SEIKI Group

FUJI Technology Inc.

■Head office factory

1162-1, Hotozawa, Gotenba-shi, Shizuoka 412-0046 JAPAN E-mail: fujitech@fujitechnology.co.jp

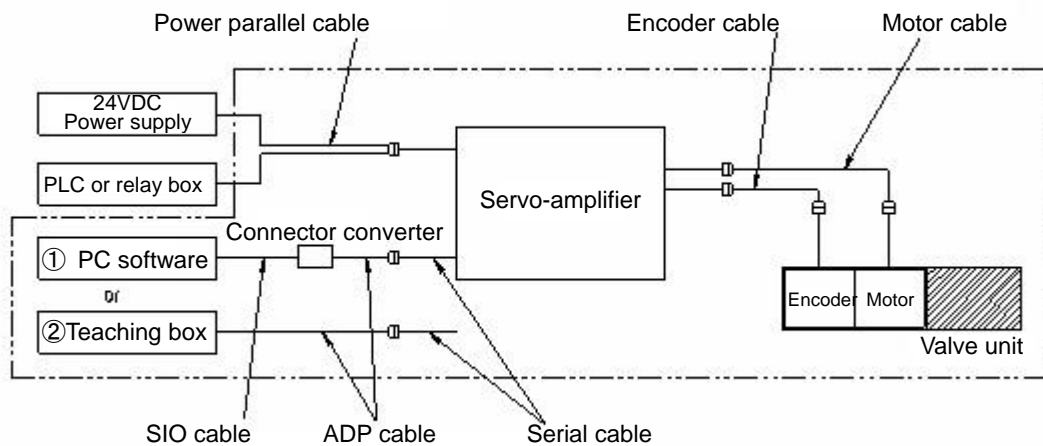
TEL +81-550-80-5200 FAX +81-550-80-5205 <http://www.fujitechnology.co.jp>

<Basic specification >

STD FLANGE	JIS · ISO · CF	Diameter	70 ~ 400 (mm)
Leak Rate Housing Valve seat	1×10^{-11} Pa m ³ /s > 1×10^{-10} Pa m ³ /s >	Power Power supply Control power	DC24V DC24V
Pressure Range	$10^5 \sim 10^{-6}$ Pa	Driven mechanism	AC servo-motor (built-in encoder)
Stem Seal	Viton O-ring	Main material	SUS304

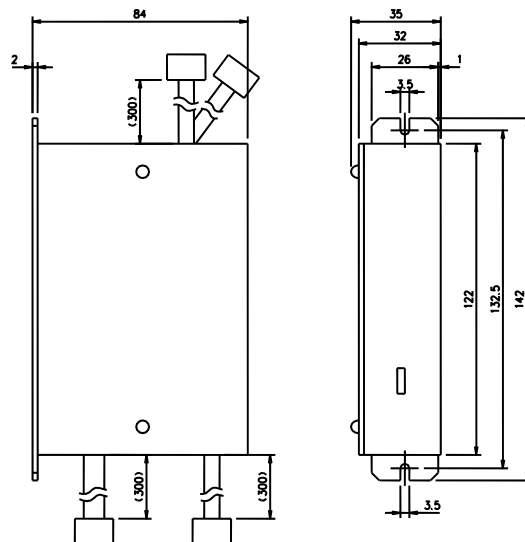
- ※ Subject to change without any notice
- ※ Please contact us as we can manufacture special sizes and special specifications.
- ※ The diameter is limited to the mounting direction. Please inquire our sales.

<System configuration>



- ※ Included in the valve unit: Valve body, Servo-motor, Servo-amplifier
(Please refer to the “optional selection list” other than those above.)

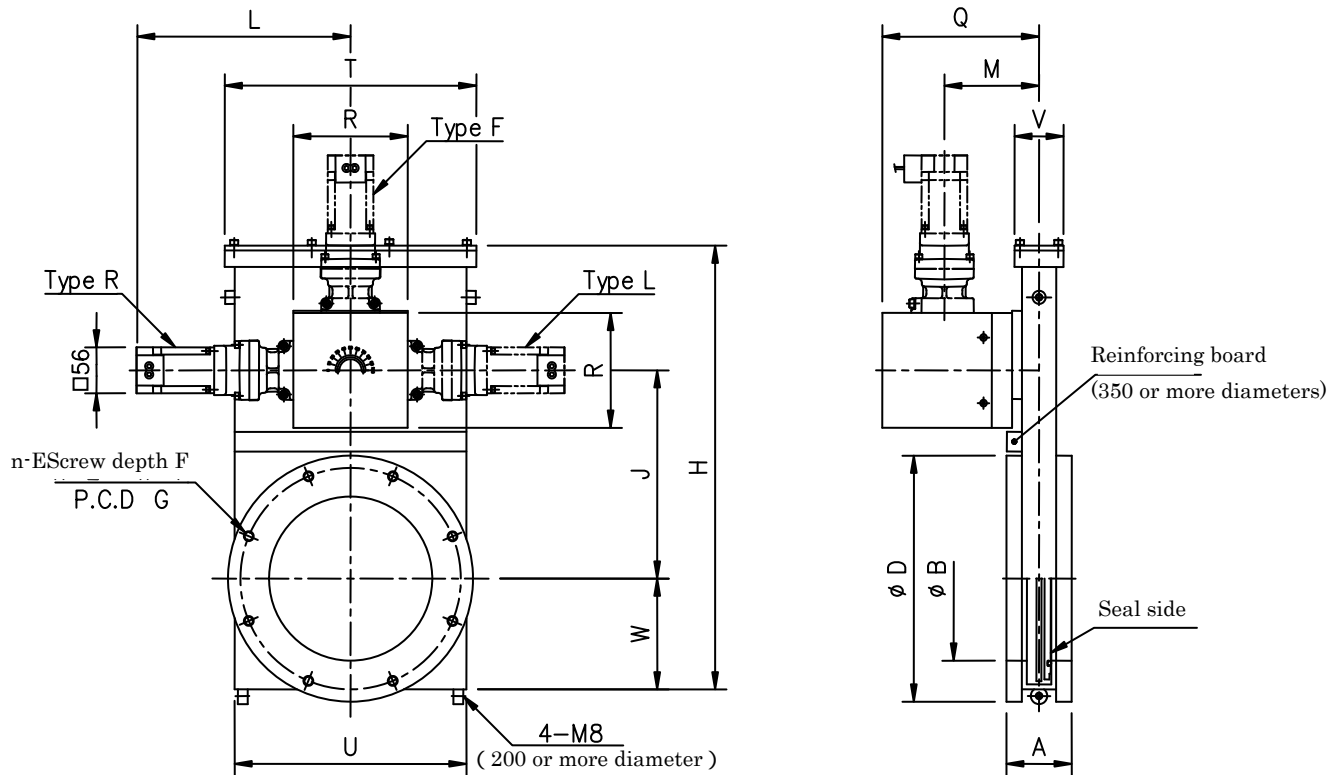
【Equipped servo-amplifier dimensions】



<About the motor correspondence of those other than a standard>

We will consult also about change on motors according to the equipment usage environment of your company, such as servo motors other than a standard motor.

Example of correspondence: Mitsubishi Electric's AC servo motor MR-J3 series and MR-J4 series etc.



Unit in: mm

Diameter	80	100	150	200	250	300	350	400
MOD No	16709	16710	16711	16712	16713	16714	16714	16715
Model	MEX-80JIS-LD-MP-()	MEX-100JIS-LD-MP-()	MEX-150JIS-LD-MP-()	MEX-200JIS-LD-MP-()	MEX-250JIS-LD-MP-()	MEX-300JIS-LD-MP-()	MEX-350JIS-LD-MP-()	MEX-400JIS-LD-MP-()
A	70	70	80	80	85	85	100	100
B	80	100	150	200	250	300	350	400
D	160	185	235	300	350	400	450	520
n—E	4-M10	8-M10	8-M10	8-M12	12-M12	12-M12	12-M12	12-M16
F	14	14	14	15	16	16	18	18
G	135	160	210	270	320	370	420	480
H	314.5	314.5	401.5	541	654	752	916	1023
J	150	150	192	254	305	356	433	483
L	245	245	245	262	262	262	289.5	289.5
M	105	105	105	116	120	121	106	107
Q	174	174	174	192	196	197	204	205
R	110	110	110	140	140	140	140	140
T	180	180	235	308	380	430	512	560
U	158	158	210	284	348	402	480	528
V	60	60	60	60	72	72	80	82
W	79	79	99	135	165	190	231	255

Note1 : The above Flanges are accordance with older JIS B2290 Vacuum Flange for Vacuum Equipment

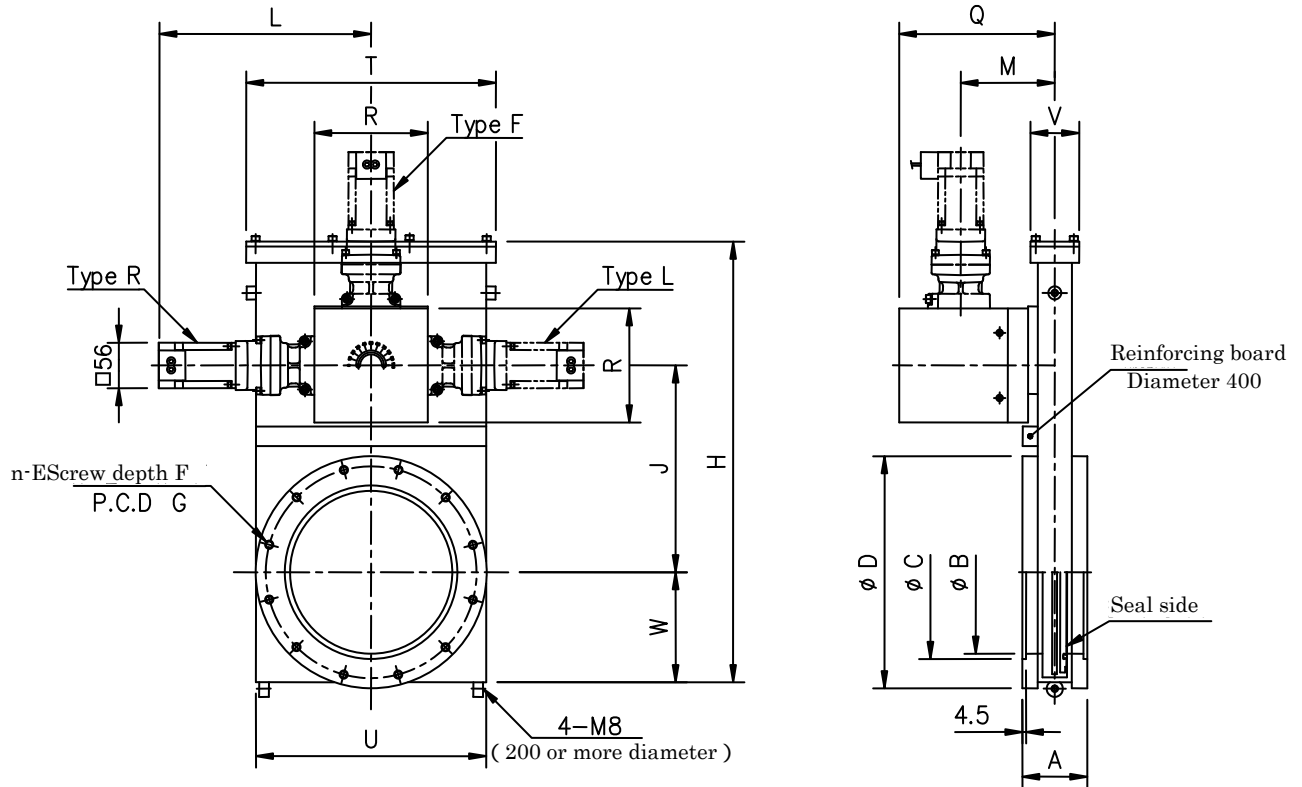
Note2 : A motor position type enters in () of form. (It chooses from three positions)

Note3 : An attachment posture is limited depending on a diameter. Please ask to business for details.

Note4 : Be careful for more than the screw depth of a flange not to screw in the screw for valve attachment.

To improve this specification may change without notice.

Dimensions of MEX-JIS-LD Series



Unit in: mm

Diameter	80	100	150	200	250	300	400
MOD No	16767	16768	16770	16771	16772	16773	16774
Model	MEX-80ISO-LD-MP-()	MEX-100ISO-LD-MP-()	MEX-150ISO-LD-MP-()	MEX-200ISO-LD-MP-()	MEX-250ISO-LD-MP-()	MEX-300ISO-LD-MP-()	MEX-400ISO-LD-MP-()
A	70	70	80	80	85	85	100
B	80	100	150	200	250	300	400
C	83	102	153	213	261	318	400
D	145	165	225	285	335	425	510
n—E	8-M8	8-M8	8-M10	12-M10	12-M10	12-M12	16-M12
F	14	14	14	15	16	16	18
G	125	145	200	260	310	395	480
H	314.5	314.5	401.5	541	654	752	1023
J	150	150	192	254	305	356	483
L	245	245	245	262	262	262	289.5
M	105	105	105	116	120	121	107
Q	174	174	174	192	196	197	205
R	110	110	110	140	140	140	140
T	180	180	235	308	380	430	560
U	158	158	210	284	348	402	528
V	60	60	60	60	72	72	82
W	79	79	99	135	165	190	255

Note1 : The above Flanges are accordance with ISO 1609 Vacuum technology Flange

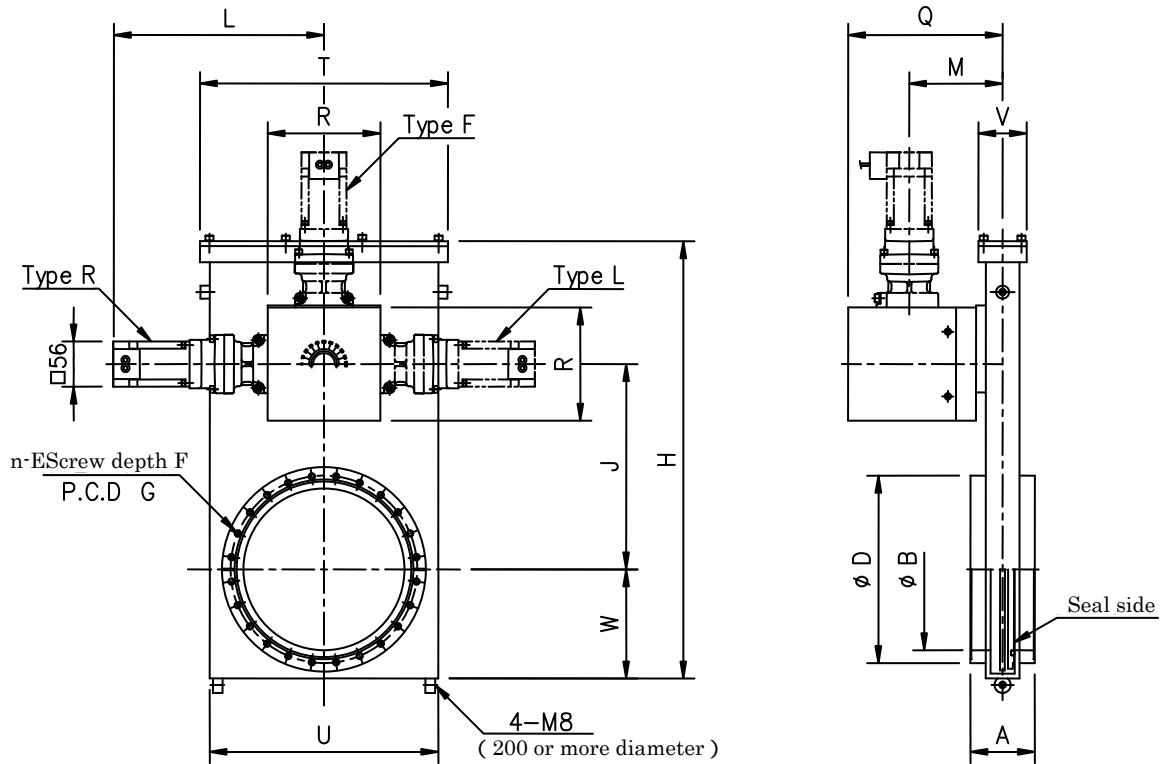
Note2 : A motor position type enters in () of form. (It chooses from three positions)

Note3 : An attachment posture is limited depending on a diameter. Please ask to business for details.

Note4 : Be careful for more than the screw depth of a flange not to screw in the screw for valve attachment.

To improve this specification may change without notice.

Dimensions of MEX-ISO-LD Series



Unit in: mm

Diameter	70	100	150	200	250
MOD No	16743	16744	16745	16746	16747
Model	MEX-70CF-LD-MP-()	MEX-100CF-LD-MP-()	MEX-150CF-LD-MP-()	MEX-200CF-LD-MP-()	MEX-250CF-LD-MP-()
CFflange size	CF114	CF152	CF203	CF253	CF305
A	70	70	80	80	100
B	70	100	150	200	250
D	113.5	151.6	202.4	253.2	306
n—E	8-M8	16-M8	20-M8	24-M8	32-M8
F	14	14	14	16	23
G	92.1	130.2	181	231.8	284
H	314.5	314.5	401.5	541	654
J	150	150	192	254	305
L	245	245	245	262	262
M	105	105	105	116	120
Q	174	174	174	192	196
R	110	110	110	140	140
T	180	180	235	308	380
U	158	158	210	284	348
V	60	60	60	60	72
W	79	79	99	135	165

Note1 The above Flanges are accordance with ISO 3669 Vacuum technology-Bakable Flange

Note2 : A motor position type enters in () of form. (It chooses from three positions)

Note3 : An attachment posture is limited depending on a diameter. Please ask to business for details.

Note4 : Be careful for more than the screw depth of a flange not to screw in the screw for valve attachment.

To improve this specification may change without notice.

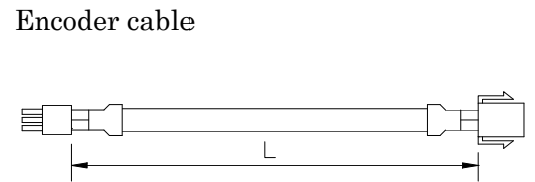
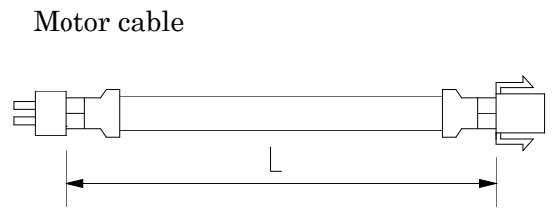
Dimensions of MEX-CF-LD Series

Option

1. Motor encoder extension cable

Cables for connecting the servo amplifier and valve

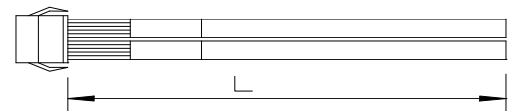
Model No.	length(L)
MOT/ENC cable_4122202 (1m)	1m
MOT/ENC cable_4122204 (2m)	2m
MOT/ENC cable_4122206 (3m)	3m
MOT/ENC cable_4122208 (4m)	4m
MOT/ENC cable_4122210 (5m)	5m
MOT/ENC cable_4122218 (6m)	9m
MOT/ENC cable_4122220 (10m)	10m
MOT/ENC cable_4122230 (15m)	15m
MOT/ENC cable_4122240 (20m)	20m



2. Power parallel cable

Cable for power supply to servo amplifier

Model No.	length(L)
Power parallel cable _4122306 (3m)	3m
Power parallel cable _4122310 (5m)	5m
Power parallel cable _4122320 (10m)	10m



3. - 1 PC software

Model No.	Remarks
TBVST-FT-JP-SET_4122042	Japanese version
TBVST-FT-EN-SET_4122044	English version



- ①
- ②
- ③
- ④

【PC software Standard set accessories】

- ① ADP-1 (Conversion adapter) ② ADP-2-4 (Connector converter)
- ③ SIO cable (1m) ④ ADP cable (1m)

3. - 2 Teaching box

Model No.	Remarks
CTA-23-SET_4122070	Digital indication



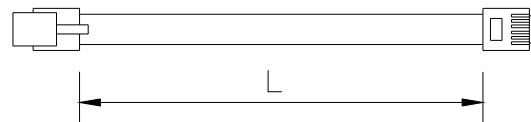
- ①

【Teaching box Standard set accessories】

- ① ADP cable (1m)

※The case lack of the connection length by a standard set accessory cable of 3-1 and 3-2 common option (1m), Please select the cable length of the table below . (option)

SIO cable	
Model	length(L)
SIO cable _4120604 (2m)	2m
SIO cable _4120606 (3m)	3m
SIO cable _4120610 (5m)	5m



ADP cable	
Model	length(L)
ADP cable_4122406 (3m)	3m
ADP cable_4122410 (5m)	5m
ADP cable_4122420 (10m)	10m

